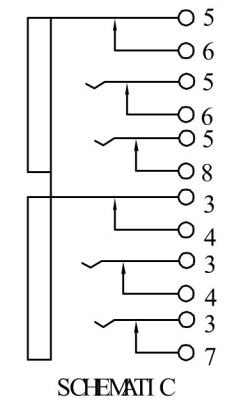
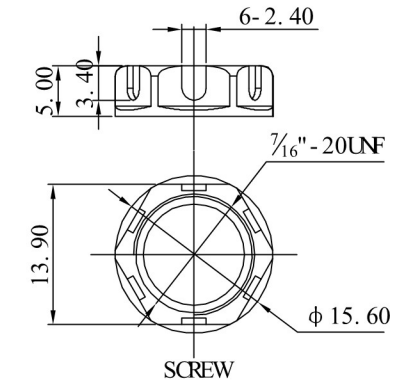
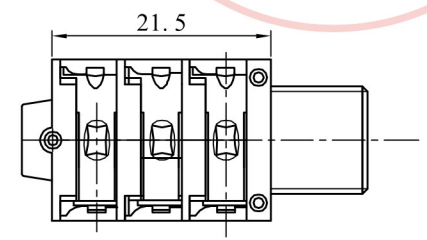
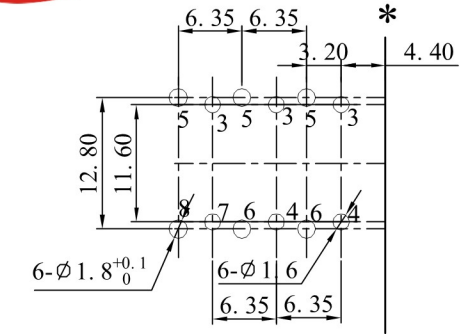
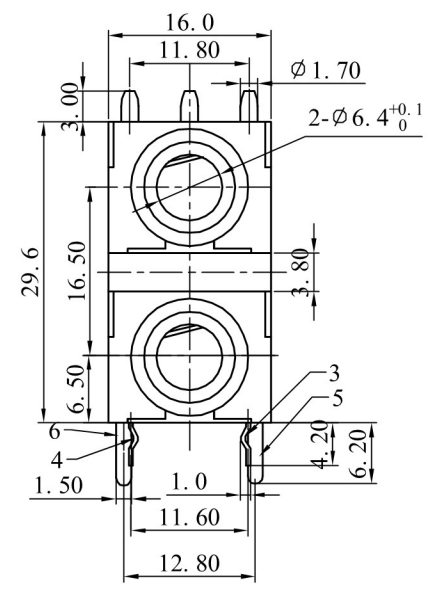
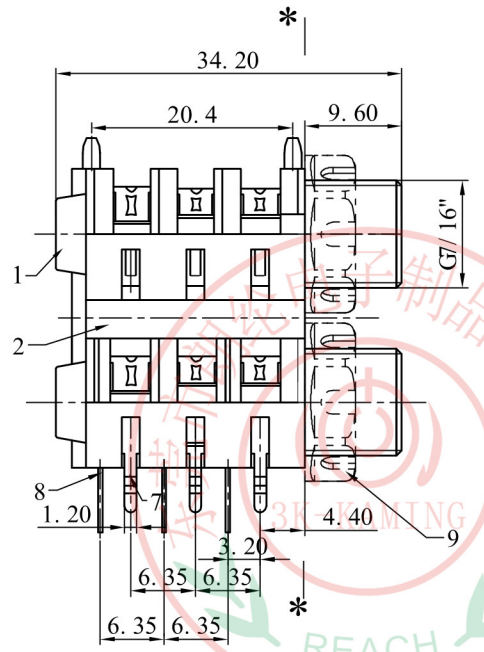


ALLOWANCE	
UNDER 3	± 0.1
3 TO 6	± 0.2
6 TO 15	± 0.3
15 TO 50	± 0.4
50 OVER	± 0.5



9	SCREW	PA66	2	BLACK
8	TERMINAL-F	H65-0.4Y	1	Ag PLATED
7	TERMINAL-E	H65-0.4Y	1	Ag PLATED
6	TERMINAL-D	H65-0.4Y	3	Ag PLATED
5	TERMINAL-C	QSn6.5-0.1-0.4Y	3	Ag PLATED
4	TERMINAL-B	H65-0.4Y	3	Ag PLATED
3	TERMINAL-A	QSn6.5-0.1-0.4Y	3	Ag PLATED
2	HOUSE-A	PA66	1	BLACK
1	HOUSE	PA66	2	BLACK
NO.	PART NAME	MATERIAL	QTY	FINISHING

MODEL NO : SJ-6337A	ALLOWANCE:	DRAWN BY:
TYPE :6.35 PHONE JACK	UNIT: mm	CHECKED BY:
MATERIAL NO :50533703	SCALE: NO SCALE	APPROVED BY: