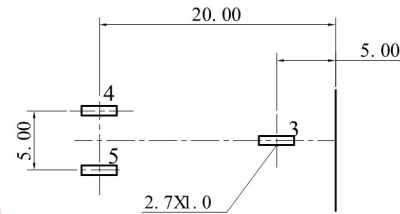
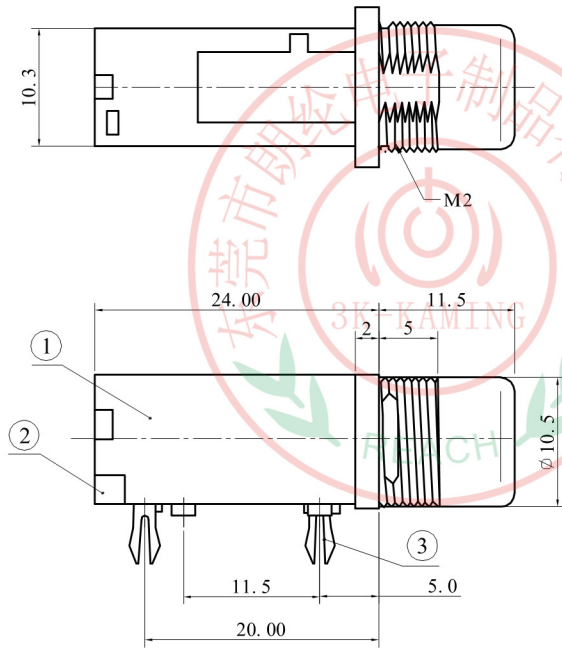
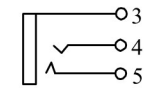
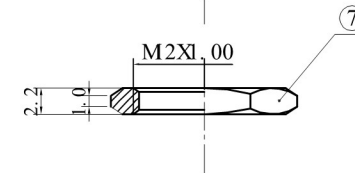
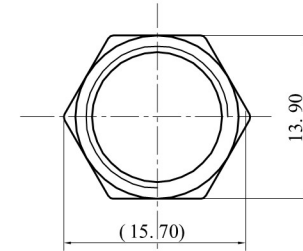
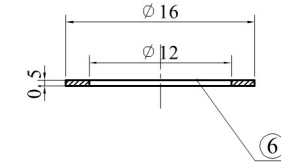
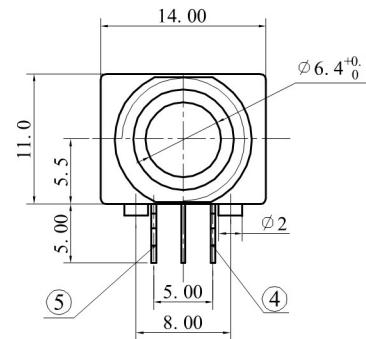




ALLOWANCE	
UNDER 3	± 0.1
3 TO 6	± 0.15
6 TO 15	± 0.2
15 TO 50	± 0.25
50 OVER	± 0.3



PCB LAYOUT



SCHMATIC



7	SCREW	BRASS	1	N PLATED
6	WASHER	SPCC 0.5	1	N PLATED
5	TERMINAL- C	BRONZE t=0.4	1	Ag PLATED
4	TERMINAL- B	BRONZE t=0.4	1	Ag PLATED
3	TERMINAL- A	BRONZE t=0.3	1	Ag PLATED
2	COVER	ABS- 757( VIRGIN)	1	RED
1	HOUSE	ABS- 757( VIRGIN)	1	BLACK
NO.	PART NAME	MATERIAL	QTY	FINISHING

MODEL NO : SJ-6332A	ALLOWANCE:	DRAWN BY:
TYPE: 6.35 PHONE JACK	UNIT: mm	CHECKED BY:
MATERIAL NO :	SCALE:	APPROVED BY:
PROJECTION		