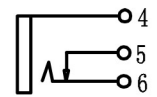
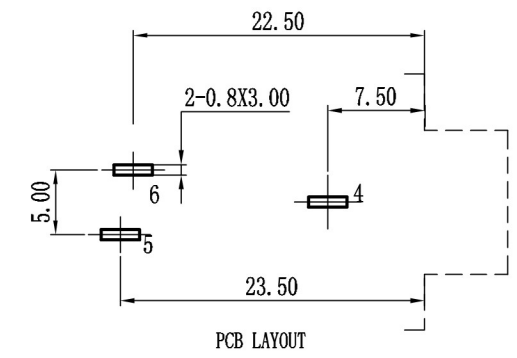
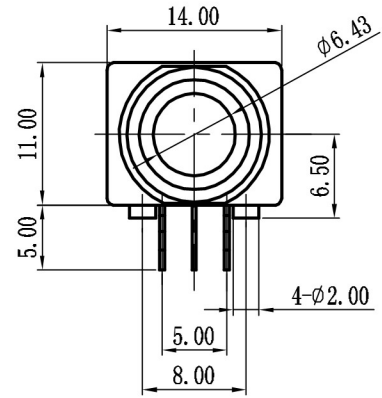
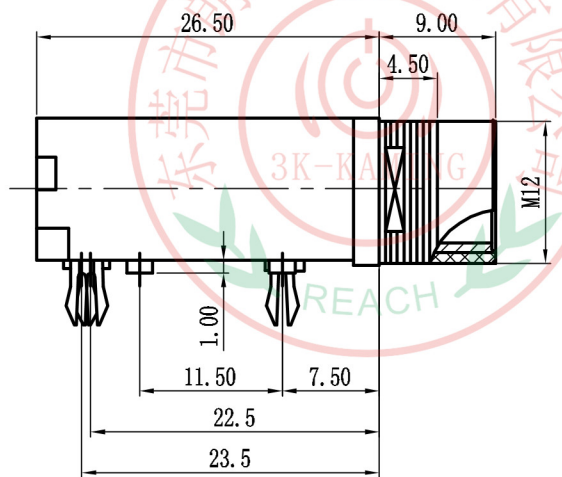


ALLOWANCE	
UNDER 3	±0.1
3 TO 6	±0.2
6 TO 15	±0.3
15 TO 50	±0.4
50 OVER	±0.5



MODEL NO: SJ-6331B	TOLERANCE: /	DRAWN BY:
TYPE: 6.35 PHONE JACK	UNIT: mm	CHECKED BY:
MATERIAL NO:	SCALE: NO SCALE	APPROVED BY: