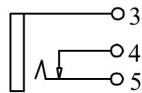
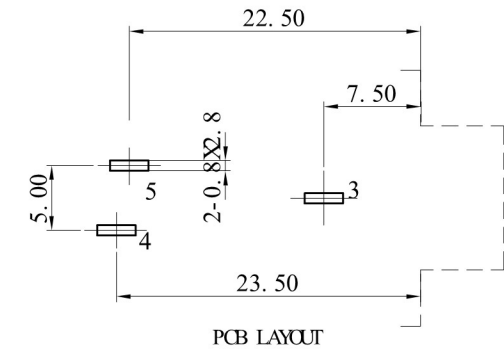
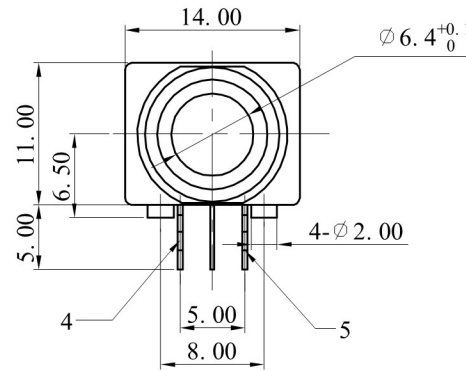
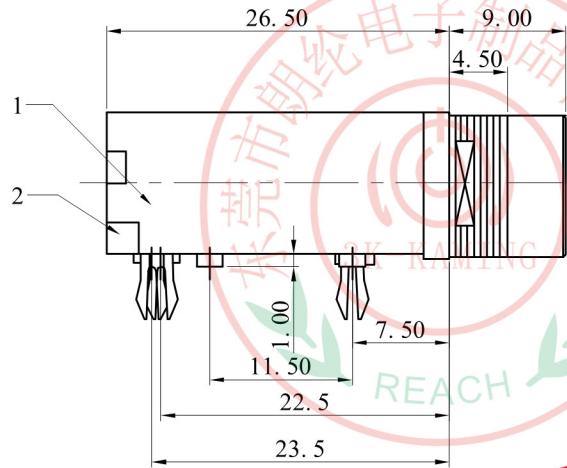
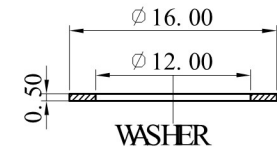
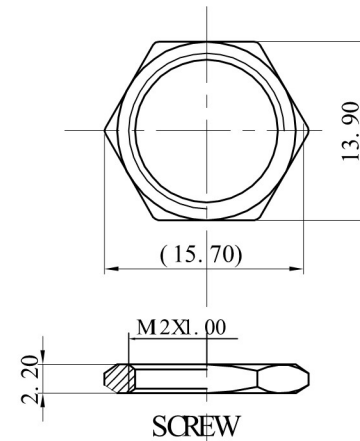


ALLOWANCE	
UNDER 3	± 0.1
3 TO 6	± 0.2
6 TO 15	± 0.3
15 TO 50	± 0.4
50 OVER	± 0.5




SCHMATIC



7	WASHER	SPCC	1	N PLATED
6	SCREW	HPb59-1	1	N PLATED
5	TERMINAL-C	QSn6.5-0.1-0.4Y	1	Ag PLATED
4	TERMINAL-B	H65-0.4Y	1	Ag PLATED
3	TERMINAL-A	QSn6.5-0.1-0.3Y	1	Ag PLATED
2	COVER	ABS 94HB	1	RED
1	HOUSE	ABS 94HB	1	BLACK
NO.	PART NAME	MATERIAL	QTY	FINISHING

MODEL NO : SJ-6330B	TOLERANCE: /	DRAWN BY:
TYPE :6.35 PHONE JACK	UNIT: mm	CHECKED BY:
MATERIAL NO :	SCALE: NO SCALE	APPROVED BY:


东莞市朗纶电子制品有限公司
 Dongguan langlun electronic products Co., Ltd