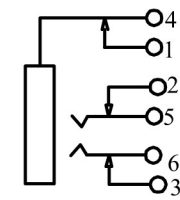
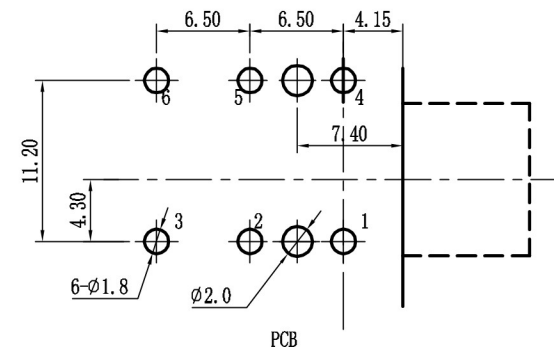
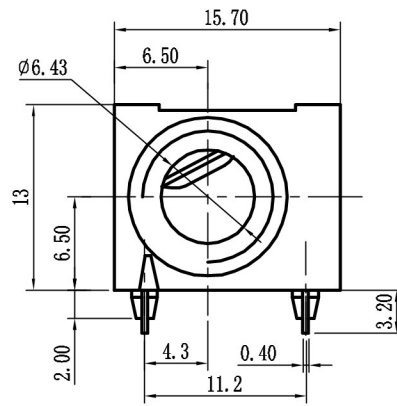
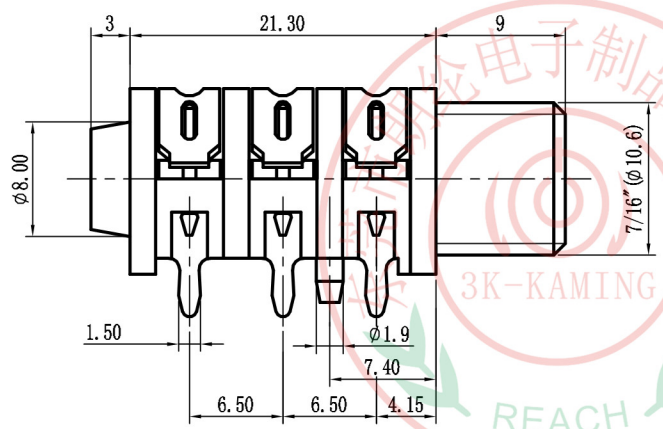


TOLERANCE:	
UNDER 6	±0.1
6 TO 15	±0.2
15 TO 50	±0.3
50 OVER	±0.4



SCHEMATIA

MODEL NO: SJ6307C-6P	TOLERANCE: /	DRAWN BY:
TYPE: 6.35 PHONE JACK	UNIT: mm	CHECHED BY:
MATERIAL NO: 50530706	SCALE: NO SCALE	SCHEMATIC APPROVED BY: