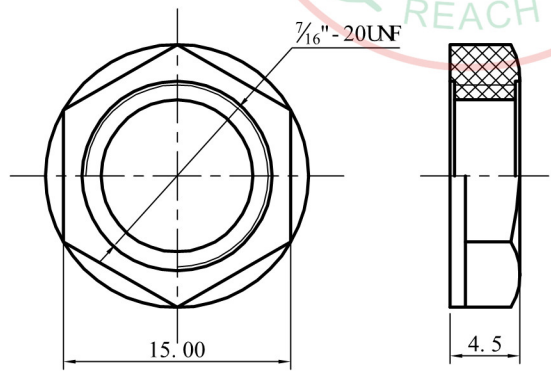
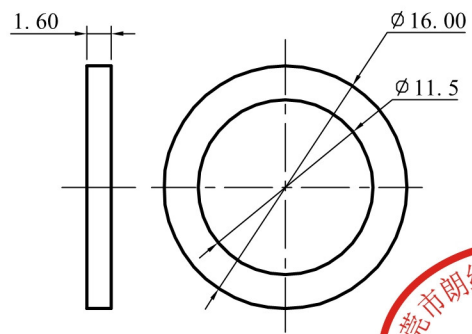


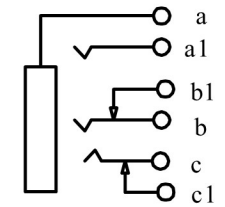
PCB LAYOUT



NUT



WASHER



SCHEMATIC



MODEL NO :SJ-6307A	ALLOWANCE:	DRAWN BY:
TYPE: 6.35 PHONE JACK	UNIT: mm	CHECKED BY:
MATERIAL NO :	SCALE:	APPROVED BY:
PROJECTION		