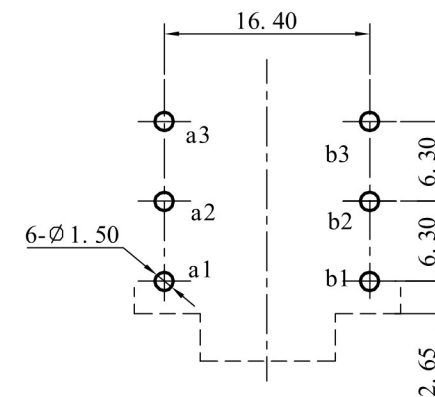
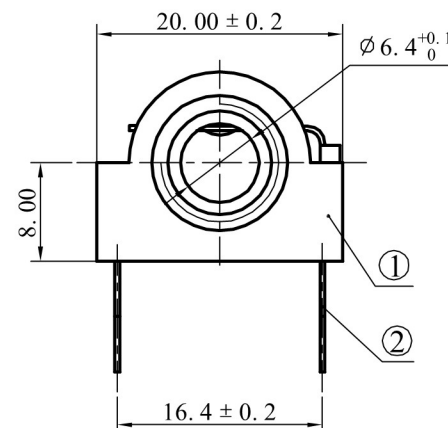
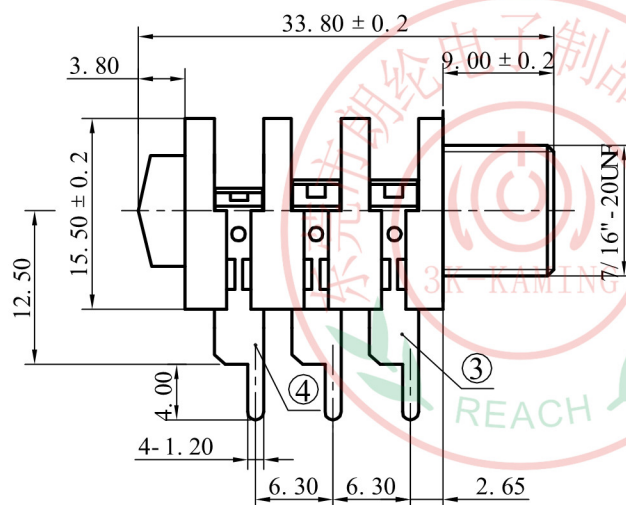
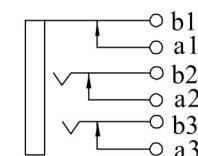


ALLOWANCE	
UNDER 3	± 0.1
3 TO 6	± 0.15
6 TO 15	± 0.2
15 TO 50	± 0.25
50 OVER	± 0.3



PCB LAYOUT



SCHEMATIC



4	TERM NAT- C	BRASS t=0.4	1	CuSn PLATED	MODEL NO. SJ6306D-6P	ALLOWANCE:	DRAWN BY:
3	TERM NAT- B	BRASS t=0.4	2	CuSn PLATED	TYPE: 6.35 PHONE SOCKET	UNIT: mm	CHECKED BY:
2	TERM NAT- A	BRONZE t=0.4	3	CuSn PLATED	MATERIAL NO.	SCALE:	APPROVED BY:
1	HOUSE	ABS	1	BLACK	PROJECTION	东莞市朗纶电子制品有限公司 Dongguan langlun electronic products Co., Ltd	
NO.	PART NAME	MATERIAL	QTY	FINISHING			