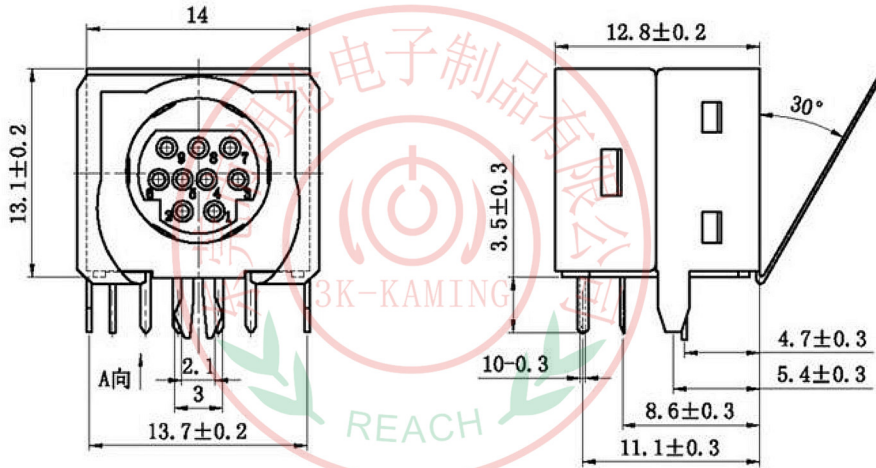




RoHS
Compliant
2002/95/EC

REV.	ECN.	NO.	APPD.

DIMENSIONS

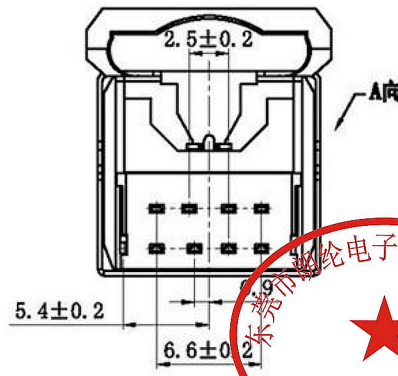
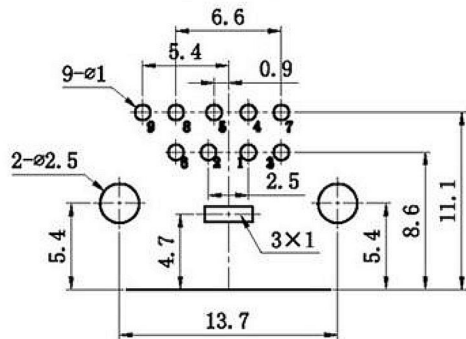


ELECTRO-MECHANICAL CHARACTERISTICS

Refer to additional specifications

1	额定负荷 Rated load	12V 2A DC
2	接触电阻 Contact resistance	≤30m Ω
3	绝缘电阻 Insulation resistance	≥100MΩ
4	耐压 Withstand Voltage	AC 250V (50HZ) /1min
5	电器寿命 Life	≥5000 cycle
6	动作力度 Strength of action	5-50N You can customize it
7	环境温度 The environment temperature	-15~75℃
8	相对湿度 Relative humidity	≤95% (40℃)
9		
10		
11		

PCB板安装孔图



NO	配件 Accessories	材料名称 Material	产地 Place of origin	备注 Note	WITHIN 1.5mm: ±0.1mm	UNITS mm	东莞市朗纶电子制品有限公司 Dongguan langlun electronic products Co., Ltd TITLE: PUSH SWITCH / VERTICAL PART NO.: 3K-9-19AA DR: Ricky 2015/03/23 DWG NO.: 3K-9-19AA CHKD: Ricky 2015/03/23 APPD: SCALE: 4:1 SHEET: 1/1 REV: A CUSTOMER DRAWING
1	上盖/基座 Topcover/base	PBT	进口/国产 Imports / domestic	黑/白 Black/white	OVER 1.5mm: ±0.2mm	MAT'L	
2	塑胶内件 interior	PBT	进口/国产 Imports / domestic	黑/白 Black/white		SEE NOTE	
3	端子/拉伸件 Terminals/stretchers	H62黄铜 Brass	进口/国产 Imports / domestic	CU/Ni/SN		FINISH	
4	短针 Short needle	H62黄铜 Brass	进口/国产 Imports / domestic	CU/Ni/SN		SEE NOTE	
5	中针 Middle Needle	H62黄铜 Brass	进口/国产 Imports / domestic	CU/Ni/SN		Q'TY	
6	长针 Long needle	H62黄铜 Brass	进口/国产 Imports / domestic	CU/Ni/SN			

THESE DRAWINGS AND SPECIFICATIONS ARE THE PROPERTY OF ACCURATE 3K-KAMING(LANG LUN) INC. AND SHALL NOT BE REPRODUCED, COPIED OR USED IN ANY MANNER WITHOUT THE PRIOR WRITTEN CONSENT OF ACCURATE 3K-KAMING(LANG LUN) INC.