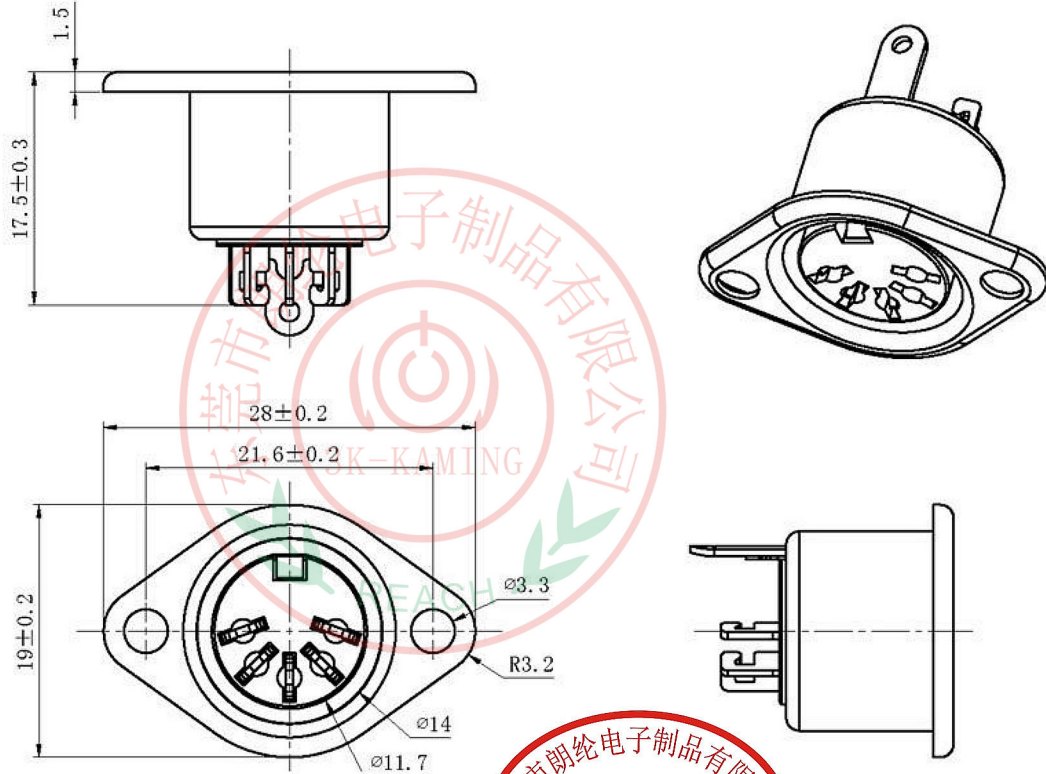




RoHS
Compliant
2002/95/EC

REV.	ECN.	NO.	APPD.

DIMENSIONS



ELECTRO-MECHANICAL CHARACTERISTICS

Refer to additional specifications

1	额定负荷Rated laod	100V 2A AC
2	接触电阻Contact resistance	$\leq 30m \Omega$
3	绝缘电阻Insulation resistance	$\geq 100M\Omega$
4	耐压Withstand Voltage	AC 250V (50HZ) /1min
5	电器寿命Life	≥ 5000 cycle
6	动作力度Strength of action	5-50N You can customize it
7	环境温度The environment temperature	$-15 \sim 75^{\circ}C$
8	相对湿度Relative humidity	$\leq 95\%$ ($40^{\circ}C$)
9		
10		
11		



NO	配件Accessories	材料名称Material	产地Place of origin	备注Note	WITHIN 1.5mm: $\pm 0.1mm$	UNITS mm	东莞市朗纶电子制品有限公司 Dongguan langlun electronic products Co., Ltd				
1	上盖/基座Topcover/base	PBT	进口/国产Imports / domestic	黑/白Black/white	OVER 1.5mm: $\pm 0.2mm$	MAT'L	3K-KAMING	TITLE: PUSH SWITCH / VERTICAL		PART NO.: 3K-5-19MA	
2	塑胶内件interior	PBT	进口/国产Imports / domestic	黑/白Black/white		SEE NOTE		DR: Ricky 2015/03/23		DWG NO.: 3K-5-19MA	
3	端子/拉伸件Terminals/stretchers	H62黄铜Brass	进口/国产Imports / domestic	CU/Ni/SN		FINISH		CHKD: Ricky 2015/03/23		SCALE SHEET REV. CUSTOMER DRAWING	
4	短针Short needle	H62黄铜Brass	进口/国产Imports / domestic	CU/Ni/SN		SEE NOTE		APPD:		4:1 1/1 A	
5	中针 Middle Needle	H62黄铜Brass	进口/国产Imports / domestic	CU/Ni/SN							
6	长针Long needle	H62黄铜 Brass	进口/国产Imports / domestic	CU/Ni/SN							

THESE DRAWINGS AND SPECIFICATIONS ARE THE PROPERTY OF ACCURATE 3K-KAMING(LANG LUN) INC. AND SHALL NOT BE REPRODUCED, COPIED OR USED IN ANY MANNER WITHOUT THE PRIOR WRITTEN CONSENT OF ACCURATE 3K-KAMING(LANG LUN) INC.

