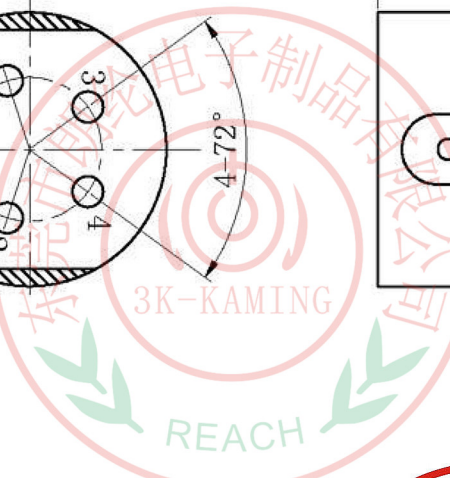
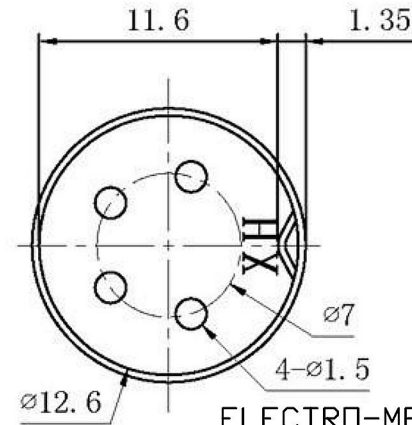
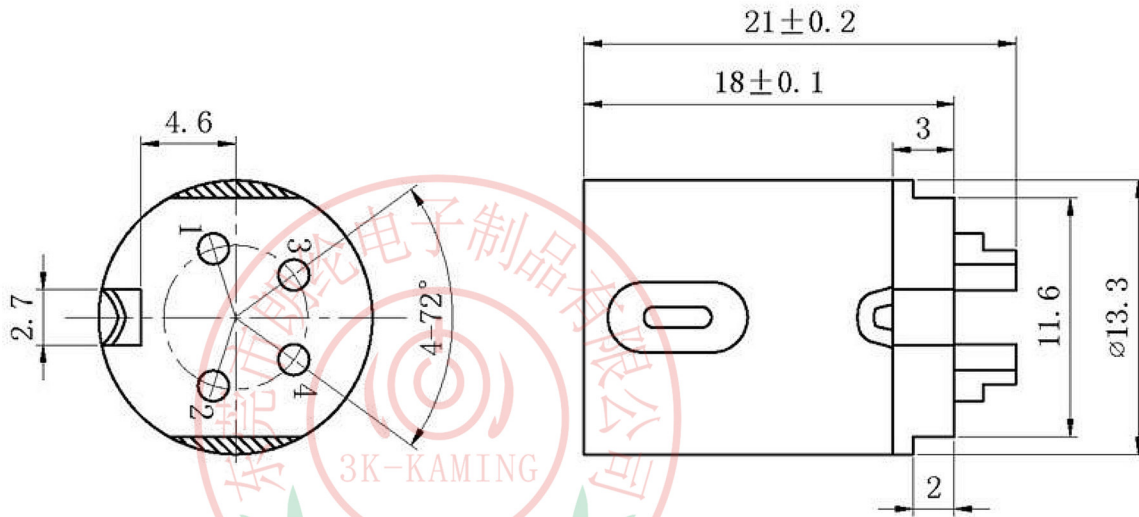




RoHS  
Compliant  
2002/95/EC

REV.	ECN.	NO.	APPD.

# DIMENSIONS



## ELECTRO-MECHANICAL CHARACTERISTICS

Refer to additional specifications

1	额定负荷Rated laod	100V 2A AC
2	接触电阻Contact resistance	≤30m Ω
3	绝缘电阻Insulation resistance	≥100MΩ
4	耐压Withstand Voltage	AC 250V (50HZ) /1min
5	电器寿命Life	≥ 5000 cycle
6	动作力度Strength of action	5-50N You can customize it
7	环境温度The environment temperature	-15~75℃
8	相对湿度Relative humidity	≤95 % (40℃)
9		
10		
11		

NO	配件Accessories	材料名称Material	产地Place of origin	备注Note
1	上盖/基座Topcover/base	PBT	进口/国产Imports / domestic	黑/白Black/white
2	塑胶内件interior	PBT	进口/国产Imports / domestic	黑/白Black/white
3	端子/拉伸件Terminals/stretchers	H62黄铜Brass	进口/国产Imports / domestic	CU/Ni/SN
4	短针Short needle	H62黄铜Brass	进口/国产Imports / domestic	CU/Ni/SN
5	中针 Middle Needle	H62黄铜Brass	进口/国产Imports / domestic	CU/Ni/SN
6	长针Long needle	H62黄铜 Brass	进口/国产Imports / domestic	CU/Ni/SN

WITHIN 1.5mm: ±0.1mm	UNITS mm
OVER 1.5mm: ±0.2mm	MAT'L SEE NOTE
	FINISH SEE NOTE
	Q'TY

**东莞市朗纶电子制品有限公司**  
**Dongguan langlun electronic products Co., Ltd**

TITLE: PUSH SWITCH / VERTICAL  
 PART NO.: 3K-4-07F-SA  
 DR: Ricky 2015/03/23  
 DWG NO.: 3K-4-07F-SA  
 CHKD: Ricky 2015/03/23  
 APPD:

SCALE	SHEET	REV.	CUSTOMER
4:1	1/1	A	DRAWING

THESE DRAWINGS AND SPECIFICATIONS ARE THE PROPERTY OF ACCURATE 3K-KAMING(LANG LUN) INC. AND SHALL NOT BE REPRODUCED, COPIED OR USED IN ANY MANNER WITHOUT THE PRIOR WRITTEN CONSENT OF ACCURATE 3K-KAMING(LANG LUN) INC.