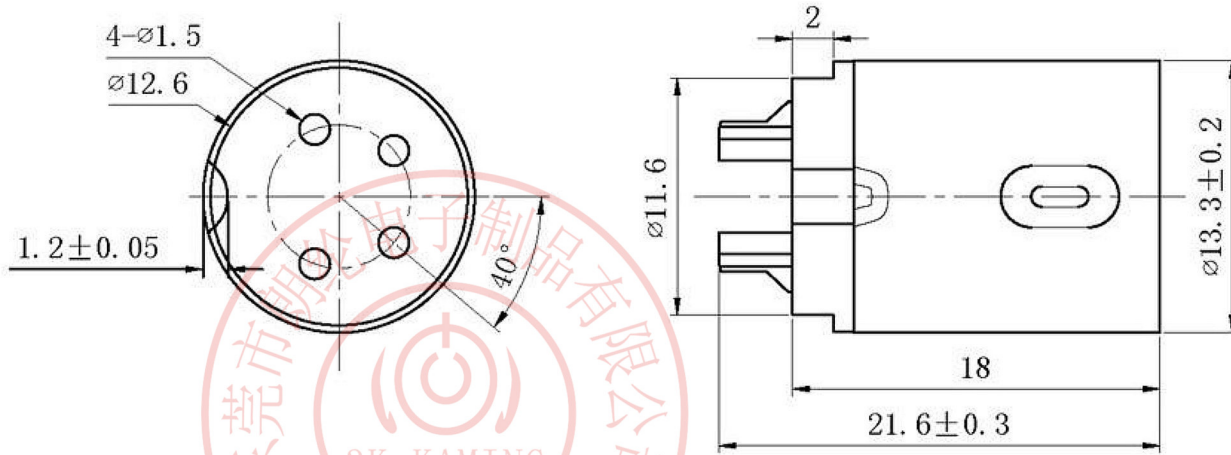




RoHS  
Compliant  
2002/95/EC

REV.	ECN.	NO.	APPD.

## DIMENSIONS



## ELECTRO-MECHANICAL CHARACTERISTICS

Refer to additional specifications

1	额定负荷Rated load	100V 2A AC
2	接触电阻Contact resistance	$\leq 30m \Omega$
3	绝缘电阻Insulation resistance	$\geq 100M\Omega$
4	耐压Withstand Voltage	AC 250V (50HZ) /1min
5	电器寿命Life	$\geq 5000$ cycle
6	动作力度Strength of action	5-50N You can customize it
7	环境温度The environment temperature	$-15 \sim 75^\circ C$
8	相对湿度Relative humidity	$\leq 95\%$ ( $40^\circ C$ )
9		
10		
11		

NO	配件Accessories	材料名称Material	产地Place of origin	备注Note
1	上盖/基座Topcover/base	PBT	进口/国产Imports / domestic	黑/白Black/white
2	塑胶内件interior	PBT	进口/国产Imports / domestic	黑/白Black/white
3	端子/拉伸件Terminals/stretchers	H62黄铜Brass	进口/国产Imports / domestic	CU/Ni/SN
4	短针Short needle	H62黄铜Brass	进口/国产Imports / domestic	CU/Ni/SN
5	中针 Middle Needle	H62黄铜Brass	进口/国产Imports / domestic	CU/Ni/SN
6	长针Long needle	H62黄铜 Brass	进口/国产Imports / domestic	CU/Ni/SN

WITHIN 1.5mm: $\pm 0.1mm$	UNITS mm
OVER 1.5mm: $\pm 0.2mm$	MAT'L SEE NOTE
	FINISH SEE NOTE
	Q'TY

东莞市朗纶电子制品有限公司 Dongguan langlun electronic products Co., Ltd	
TITLE: PUSH SWITCH / VERTICAL	PART NO.: 3K-4-07FA
DR: Ricky 2015/03/23	DWG NO.: 3K-4-07FA
CHKD: Ricky 2015/03/23	SCALE: 4:1 SHEET: 1/1 REV: A CUSTOMER DRAWING
APPD:	

THESE DRAWINGS AND SPECIFICATIONS ARE THE PROPERTY OF ACCURATE 3K-KAMING(LANG LUN) INC. AND SHALL NOT BE REPRODUCED, COPIED OR USED IN ANY MANNER WITHOUT THE PRIOR WRITTEN CONSENT OF ACCURATE 3K-KAMING(LANG LUN) INC.