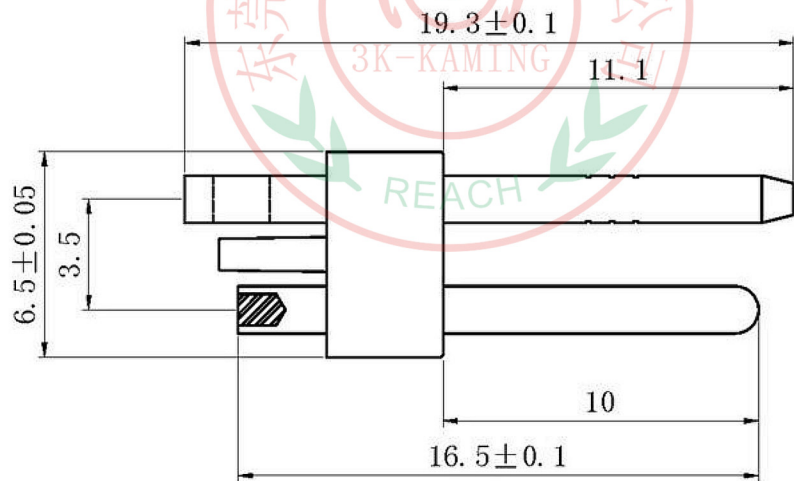
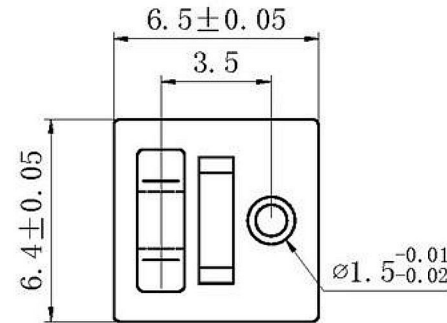
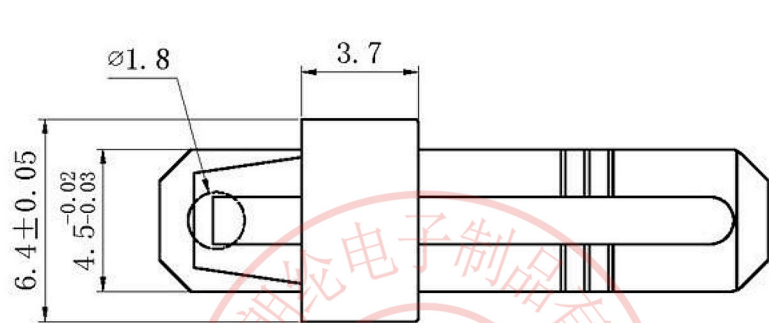




RoHS
Compliant
2002/95/EC

REV.	ECN.	NO.	APPD.

DIMENSIONS



ELECTRO-MECHANICAL CHARACTERISTICS

Refer to additional specifications

1	额定负荷Rated load	100V 2A AC
2	接触电阻Contact resistance	≤30m Ω
3	绝缘电阻Insulation resistance	≥100MΩ
4	耐压Withstand Voltage	AC 250V (50HZ) /1min
5	电器寿命Life	≥ 5000 cycle
6	动作力度Strength of action	5-50N You can customize it
7	环境温度The environment temperature	-15~75℃
8	相对湿度Relative humidity	≤95% (40℃)
9		
10		
11		



NO	配件Accessories	材料名称Material	产地Place of origin	备注Note
1	上盖/基座Topcover/base	PBT	进口/国产Imports / domestic	黑/白Black/white
2	塑胶内件interior	PBT	进口/国产Imports / domestic	黑/白Black/white
3	端子/拉伸件Terminals/stretchers	H62黄铜Brass	进口/国产Imports / domestic	CU/Ni/SN
4	短针Short needle	H62黄铜Brass	进口/国产Imports / domestic	CU/Ni/SN
5	中针 Middle Needle	H62黄铜Brass	进口/国产Imports / domestic	CU/Ni/SN
6	长针Long needle	H62黄铜 Brass	进口/国产Imports / domestic	CU/Ni/SN

WITHIN 1.5mm: ±0.1mm

OVER 1.5mm: ±0.2mm

UNITS mm

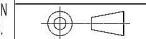
MAT'L

SEE NOTE

FINISH

SEE NOTE

Q'TY



东莞市朗伦电子制品有限公司
Dongguan langlun electronic products Co., Ltd

TITLE: PUSH SWITCH / VERTICAL

DR: Ricky 2015/03/23

CHKD: Ricky 2015/03/23

APPD:

PART NO.: 3K-2-02BFA

DWG NO.: 3K-2-02BFA

SCALE: 4:1 SHEET: 1/1 REV: A CUSTOMER DRAWING

THESE DRAWINGS AND SPECIFICATIONS ARE THE PROPERTY OF ACCURATE 3K-KAMING(LANG LUN) INC. AND SHALL NOT BE REPRODUCED, COPIED OR USED IN ANY MANNER WITHOUT THE PRIOR WRITTEN CONSENT OF ACCURATE 3K-KAMING(LANG LUN) INC.