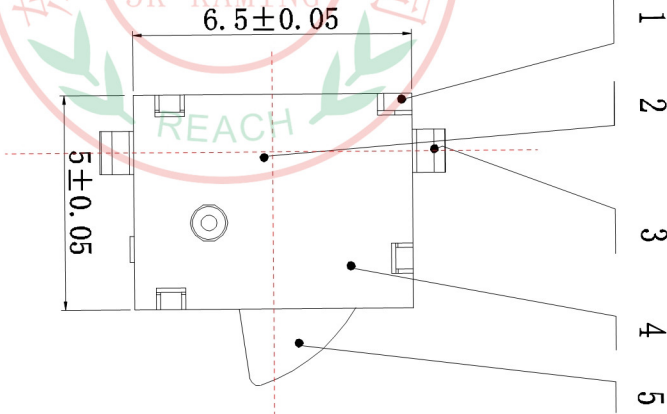
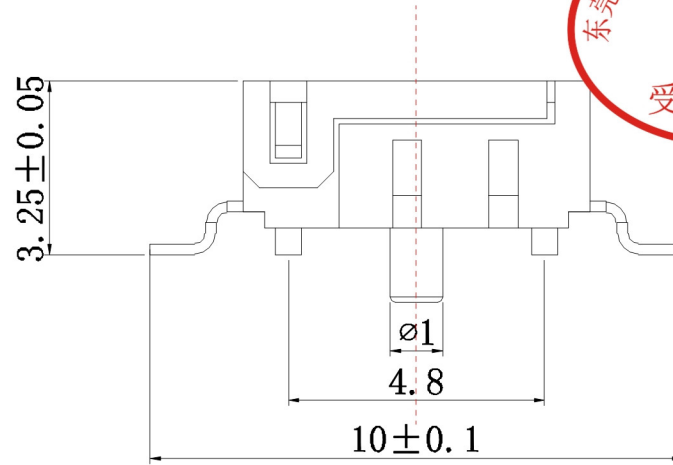
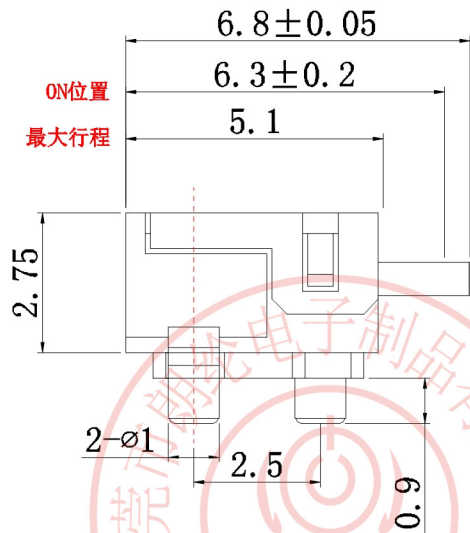
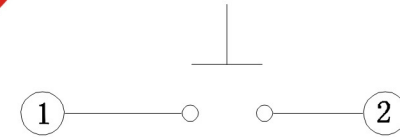


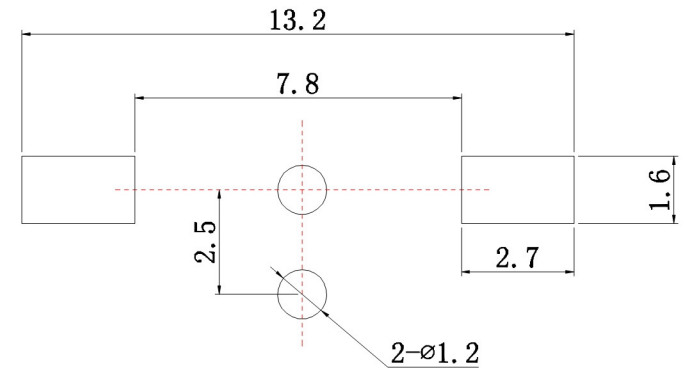
外型图 OUTLINE DRAWING




电原理图 SCHEMATIC



安装尺寸 P.C.B LAYOUT MOUNTING



主要技术指标参数 Specifications		品名 Model number		组成元件 Material		
温度范围 Temperature:	-40--70℃	TITLE	DRAWN BY: DATE	1	按钮 Button	1 PPA
额定负荷 Rated Load:	DC 16V 0.1A	SWITCH	Frank Wu 04/17/12	2	弹压 Contact	1 BeCu QBe2-Y2-0.08 D. Ag7
接触电阻 Contact Resistance:	≤0.5Ω	MODLE	CHECKED BY: DATE	3	焊脚 Terminal	1 Brass, Silver Plated H62-0.2 D. Ag7
绝缘电阻 Insulation Resistance:	≥100mΩ	DETECTOR SWITCH	Jacky Chen 04/17/12	4	盖子 Cover	1 PPA
耐压 Withstand Voltage:	AC100V/min	DWG NO.	APPROVED BY: DATE	5	底座 Body	1 PPA
动作力 Operation Force:	0.3--0.6N	3K-V-06B	Tony Kao 04/17/12	 东莞市朗纶电子制品有限公司 Dongguan langlun electronic products Co., Ltd		
回流焊 Reflow soldering:	250℃	PART NO.				
寿命 Life:	>50000次	3K-V-06B				