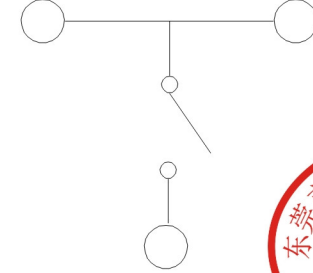
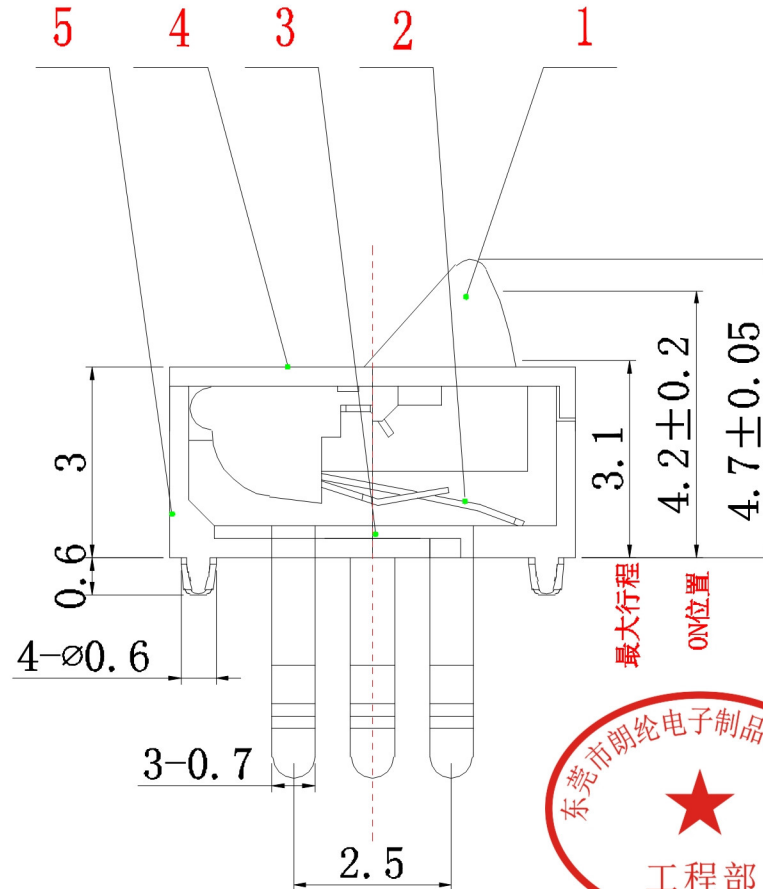
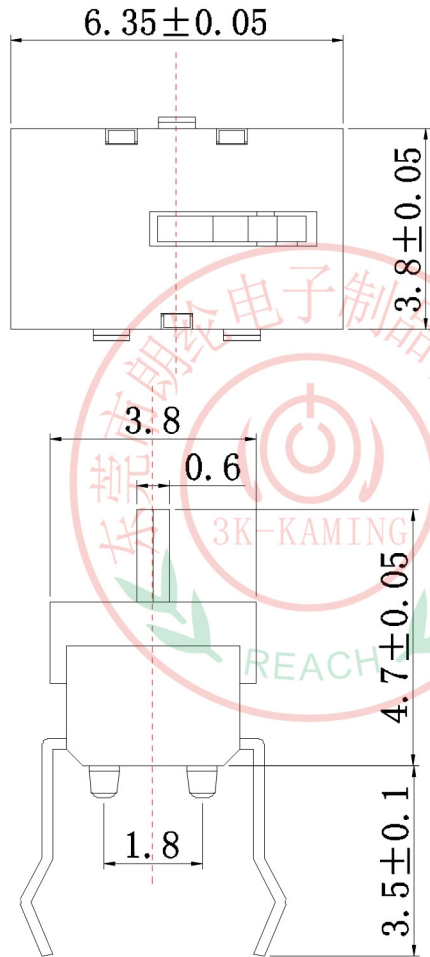
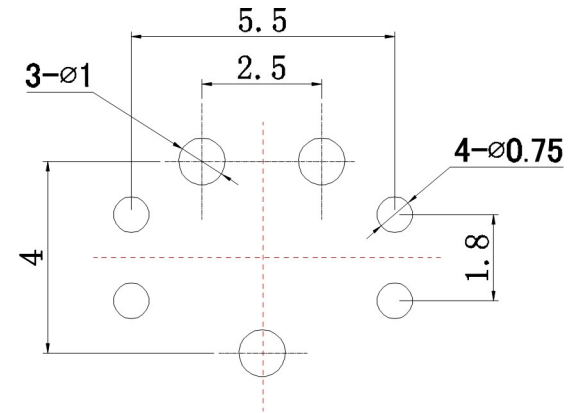


外型图 OUTLINE DRAWING

电原理图 SCHEMATIC



安装尺寸 P.C.B LAYOUT MOUNTING



主要技术指标参数 Specifications		品名 Model number		1		2		组成元件 Material
温度范围 Temperature:	-40--70℃	TITLE	DRAWN BY: DATE	按钮 Button	1	POM(白)		
额定负荷 Rated Load:	DC 16V 0.1A	SWITCH	Frank Wu 04/17/12	弹压 Contact	1	BeCu QBe2-Y2-0.08	D. Ag7	
接触电阻 Contact Resistance:	≤0.5Ω	MODLE	CHECKED BY: DATE	焊脚 Terminal	1	Brass, Silver Plated H62-0.2	D. Ag7	
绝缘电阻 Insulation Resistance:	≥100mΩ	DETECTOR SWITCH	Jacky Chen 04/17/12	盖子 Cover	1	POM		
耐压 Withstand Voltage:	AC100V/min	DWG NO.	APPROVED BY: DATE	底座 Body	1	PA66		
动作力 Operation Force:	0.3--0.6N	3K-V-04A	Tony Kao 04/17/12					
回流焊 Reflow soldering:	250℃	PART NO.						
寿命 Life:	>50000次	3K-V-04A						



东莞市朗纶电子制品有限公司  
Dongguan langlun electronic products Co., Ltd