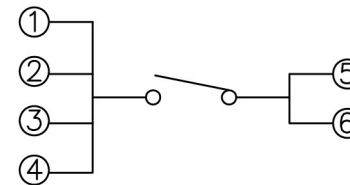


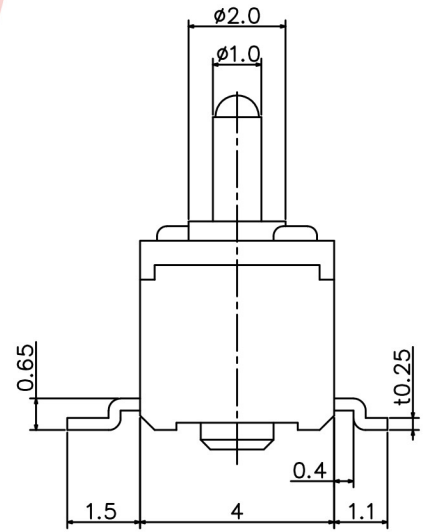
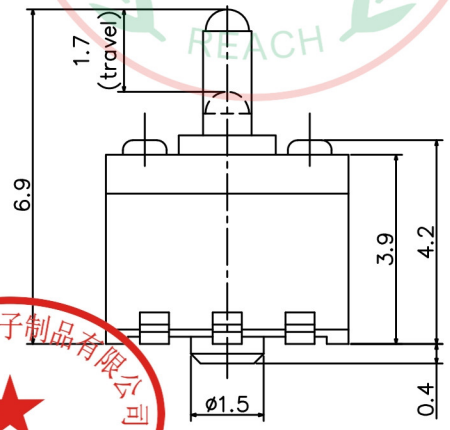
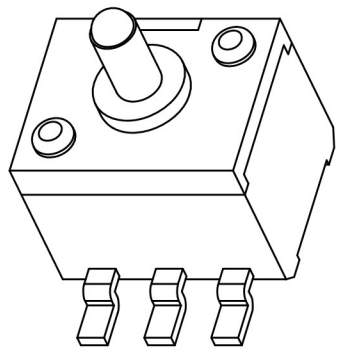
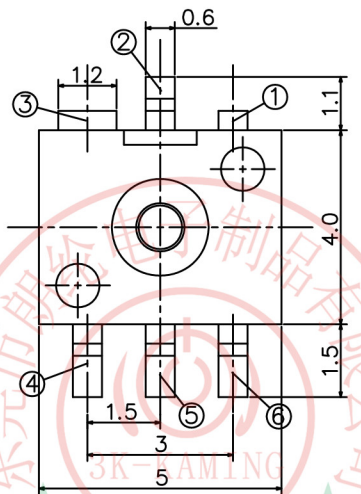
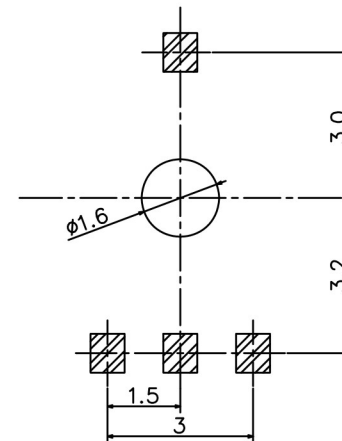


△				
△				
△				
△				
ZONE	REV	DESCRIPTION	DATE	APPD.

Circuit Diagram



P.C.B Mounting pattern Dimension



5	CONTACT	PBS	1	Ag CLAD
4	SPRING	PBS	1	Ag PLATED
3	CASE	NYLON	1	BLACK
2	COVER	NYLON	1	BLACK
1	KNOB	NYLON	1	BLACK
NO	PART NAME	MATERIAL	Q"TY	FINISHING



东莞市朗纶电子制品有限公司
Dongguan langlun electronic products Co., Ltd

DESIGN	Will	SCALE	
DRAWING	Will	UNIT	mm
CHECK	Will	SIZE	A4: 210*297
APPROVAL	Eric	VERSION	01

TOLERANCE UNLESS OTHERWISE STATED(mm)	PART NAME	DETECTOR SWITCH
less than 10 — ±0.2	PART NO	3K-T40-Z
10~30 — ±0.3	DRAWING NO	
30~100 — ±0.5	DATE	2010/02/02
ANGIE — ±2'		