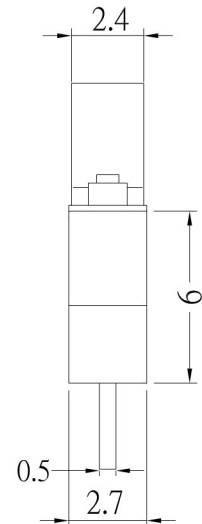
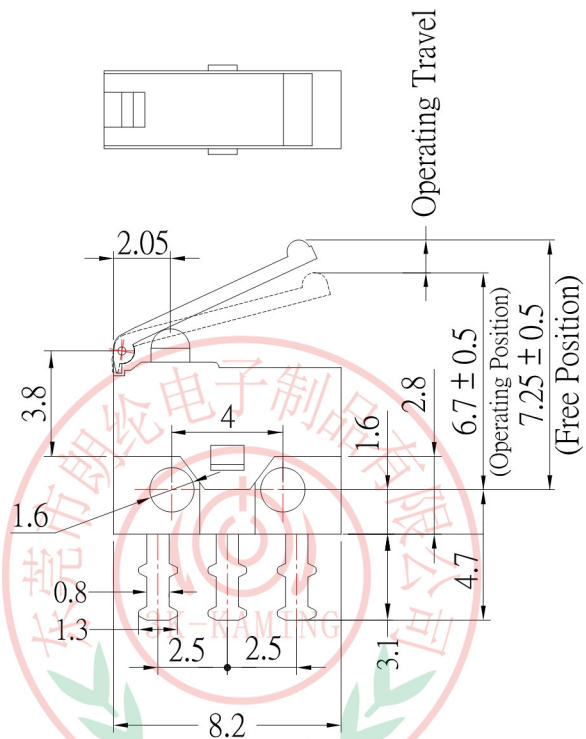
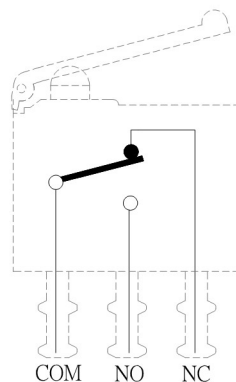




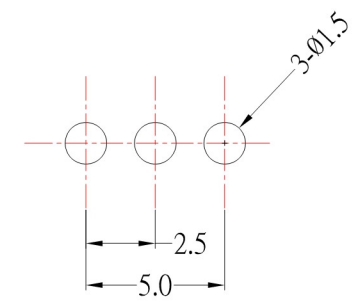
**DIMENSIONS**



**SCHEMATIC**



**P.C.B LAYOUT MOUNTING**



**Specifications**

1	Rating	30 VDC / 500mA
2	Operating Force	50 gf Max
3	Life	300,000 cycles Min
4	Operating Position	6.7mm ± 0.5mm
5	Contact Resistance	100 m ohms Max(Initial)
6	Insulation Resistance	100 M ohms Min(at 500VDC)
7	Dielectric withstanding voltage	250VAC 1 minute
8	Operating temperature	-25°C ~ +70°C
9	Ambient humidity	35% ~ 85% RH
10	Maifunction durability	10 to 55 Hz 1.5mm double amplitude during 2 hours

**Material**

1	Terminal	Brass , Silver Plated
2	Body	PBT
3	Cover	POM
4	Level	POM
5	Button	POM
6	Contact	BeCu



**东莞市朗纶电子制品有限公司**  
Dongguan langlun electronic products Co., Ltd

TOLERANCE UNLESS OTHERWISE STATED:  
Up to 5 ±0.2  
Above 5 ~ 15 ±0.3  
Above 15 ~ 30 ±0.4  
Above 30 ~ 50 ±0.5  
Angle ±0.3°

3RD. ANGEL'S

UNITS MM

DRAWN BY: Frank Wu DATE: 04/17/12  
CHECKED BY: Jacky Chen DATE: 04/17/12  
APPROVED BY: Tony Kao DATE: 04/17/12

MAT'L		TITLE	SWITCH
FINISH		MODLE	MICRO SWITCH
SCALE	1 : 1	DWG NO.	3K-SSM-001
SHEET NO.	1 of 1	PART NO.	3K-SSM-001
		SIZE	A4
		VER	C

2	Drawing update	FrankWu	041712
1	1.Add P.C.B Layout 2. Update Spec · Material Table	FrankWu	020312
ITEM NO.	DESCRIPTION	DRAWN	DATE