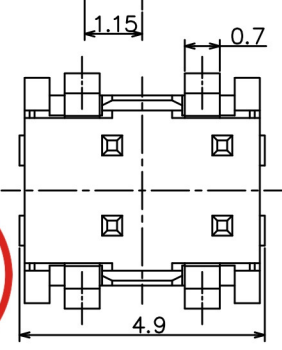
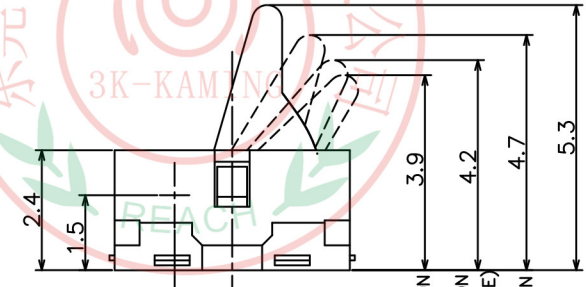
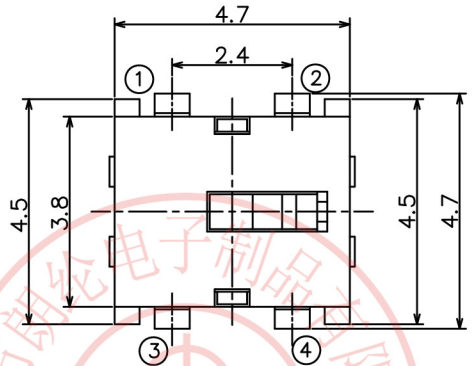
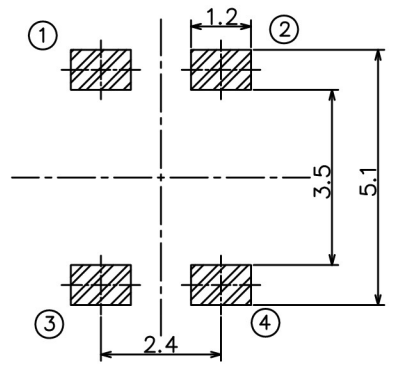


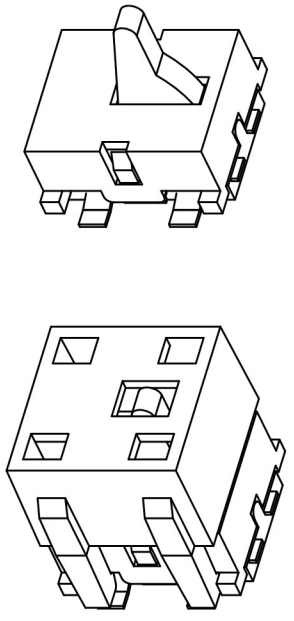
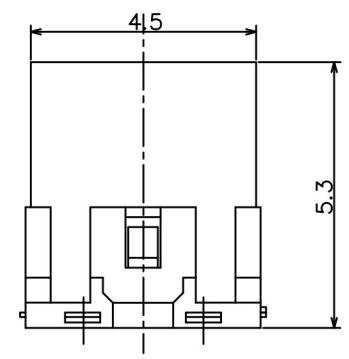
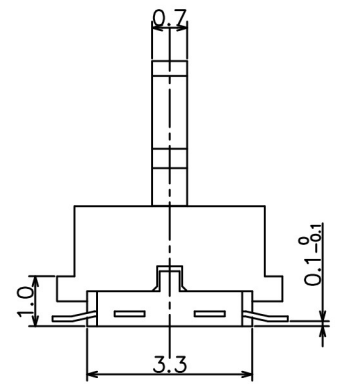
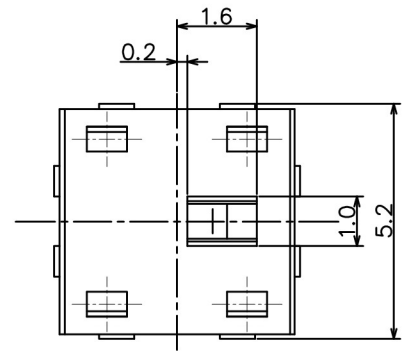


△				
△				
△				
△				
ZONE	REV	DESCRIPTION	DATE	APPD.

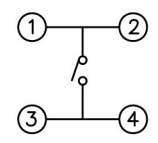
P.C.B Mounting pattern Dimension



TOTAL TRAVEL POSITION  
MEASURE POSITION  
(OPERATING FORCE & CONTACT RESISTANCE)  
4.7Min. 5.2Max "ON" POSITION



Circuit Diagram



Specifications

1. Rating : DC 5V, 1mA
2. Contact resistance : 1Ω Max.
3. Insulation resistance : DC250V-50MΩ Min.
4. Withstanding voltage : AC250V-1 minute
5. Operating force : 60gf Max.
6. Operating life : 100,000 cycles



东莞市朗纶电子制品有限公司  
Dongguan langlun electronic products Co., Ltd

DESIGN	Will	SCALE		
DRAWING	Will	UNIT	mm	
CHECK	Will	SIZE	A4: 210*297	
APPROVAL	Eric	VERSION	01	

TOLERANCE UNLESS OTHERWISE STATED(mm)	PART NAME	DETECTOR SWITCH
less than 10 — ±0.2	PART NO	3K-B80
10~30 — ±0.3	DRAWING NO	
30~100 — ±0.5	DATE	2009/10/29
ANGIE — ±2'		