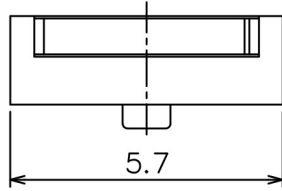
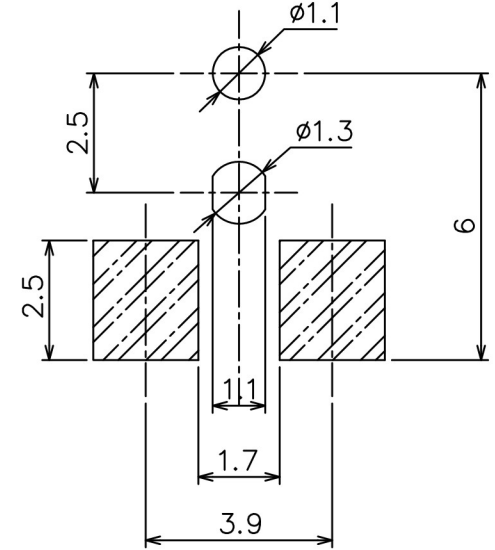


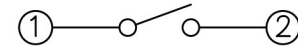
▲				
▲				
▲				
▲				
ZONE	REV	DESCRIPTION	DATE	APPD.



P.C.B Mounting pattern Dimension



Circuit diagram

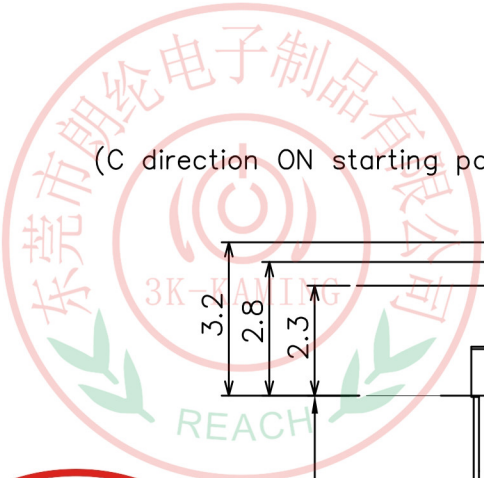
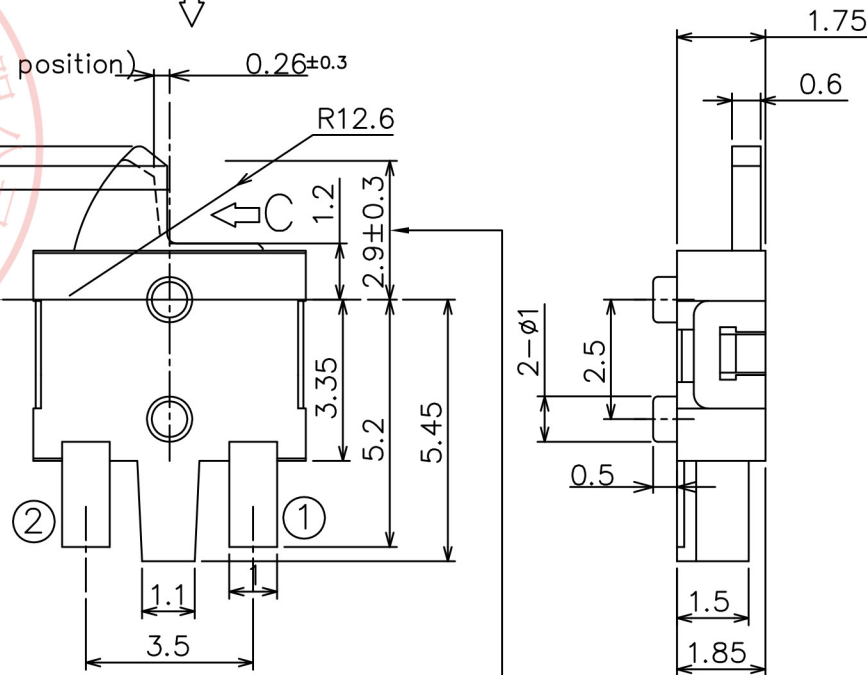


B (Total travel position)

(C direction ON starting position)

(Operating force measurement position)

(B direction ON starting position)



东莞市朗纶电子制品有限公司
Dongguan langlun electronic products Co., Ltd

DESIGN	Will	SCALE		
DRAWING	Will	UNIT	mm	
CHECK	Will	SIZE	A4: 210*297	
APPROVAL	Eric	VERSION	01	

TOLERANCE UNLESS OTHERWISE STATED(mm)
less than 10 — ±0.2
10~30 — ±0.3
30~100 — ±0.5
ANGIE — ±2'

PART NAME	DETECTOR SWITCH
PART NO	3K-A60
DRAWING NO	
DATE	2009/12/31