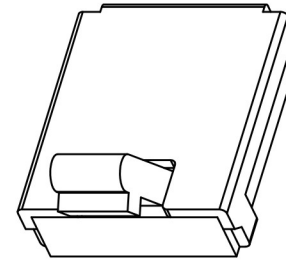
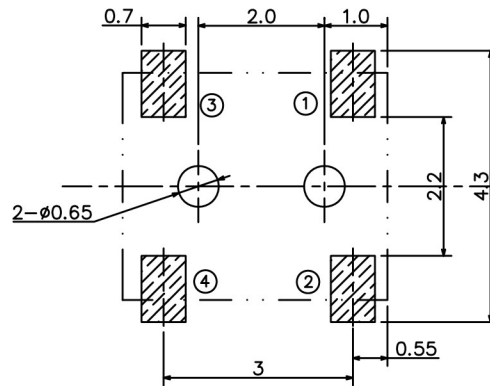


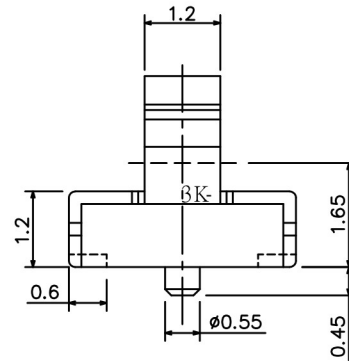
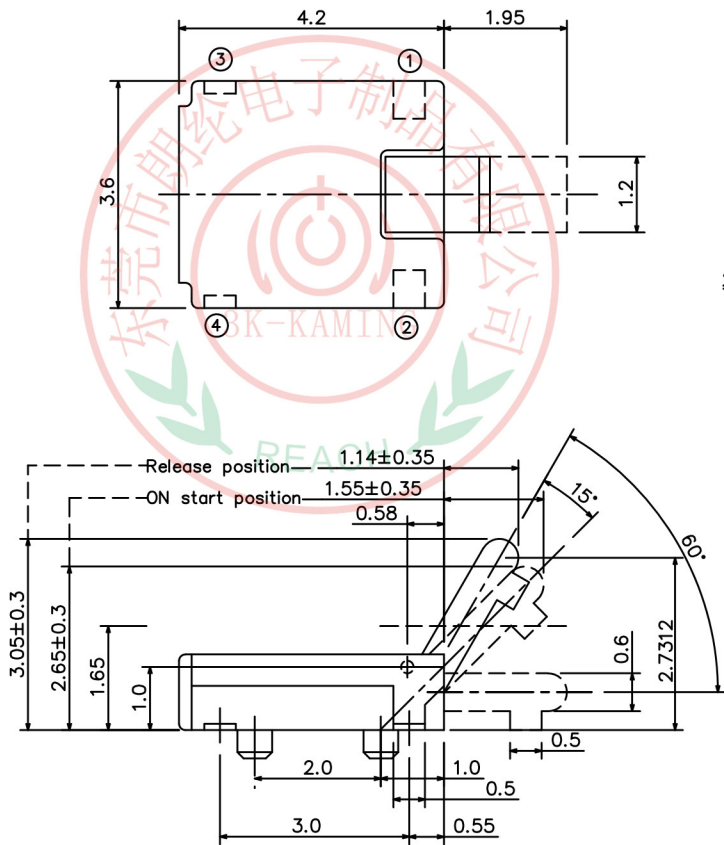
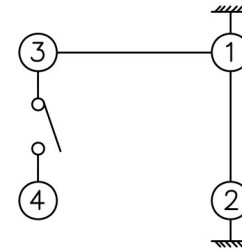
▲				
▲				
▲				
▲				
ZONE	REV	DESCRIPTION	DATE	APPD.



P.C.B Mounting pattern Dimension



Circuit diagram



Contact resistance & Operating force measurement position

SPECIFICATIONS

1. RATING : 50  $\mu$ A 3V DC to 10 mA 5 V DC
2. Contact Resistance : 1 $\Omega$  Max.
3. Insulation Resistance : 100M $\Omega$  Min
4. Operation Force : 40gf Max
5. Operating Life : 50,000 cycles



东莞市朗纶电子制品有限公司 Dongguan langlun electronic products Co., Ltd	DESIGN	Will	SCALE		TOLERANCE UNLESS OTHERWISE STATED(mm) less than 10 $\pm$ 0.2 10~30 $\pm$ 0.3 30~100 $\pm$ 0.5 ANGLE $\pm$ 2°	PART NAME	DETECTOR SWITCH
	DRAWING	Will	UNIT	mm		PART NO	3K-A31-S008
	CHECK	Will	SIZE	A4: 210*297		DRAWING NO	
	APPROVAL	Eric	VERSION	01		DATE	2009/09/11