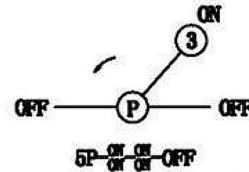
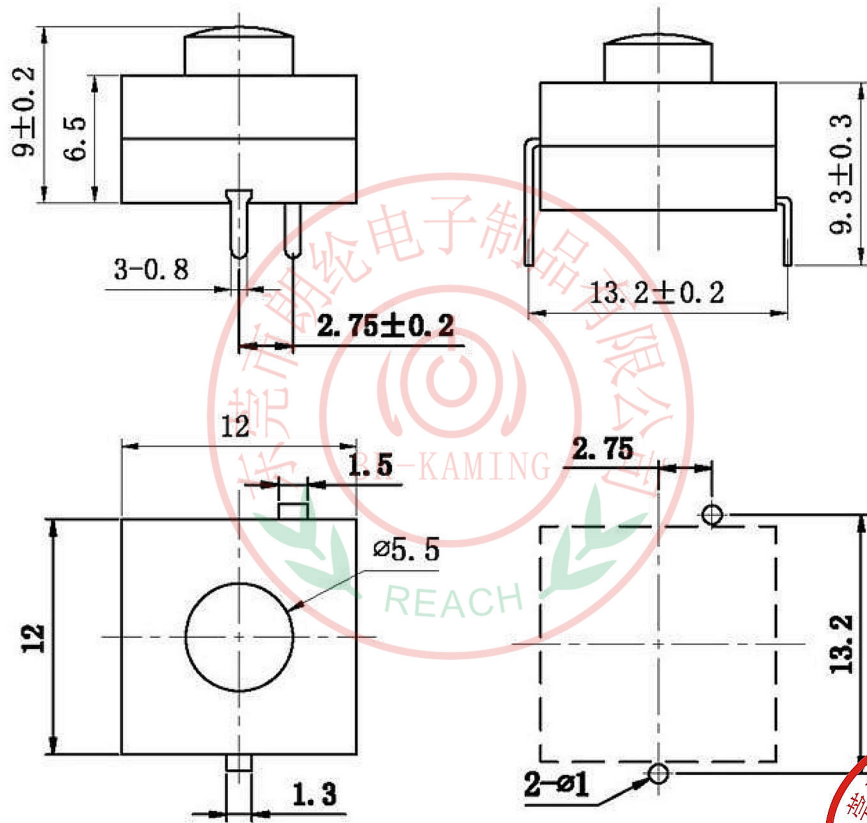




RoHS  
Compliant  
2002/95/EC

REV.	ECN.	NO.	APPD.

## DIMENSIONS



## ELECTRO-MECHANICAL CHARACTERISTICS

Refer to additional specifications

1	额定负荷 Rated load	AC 250V 1.5A/125V 3A
2	接触电阻 Contact resistance	$\leq 100\text{m}\Omega$
3	绝缘电阻 Insulation resistance	$\geq 100\text{M}\Omega$
4	耐压 Withstand Voltage	AC 500V (50HZ) /1min
5	电器寿命 Life	$\geq 20000$
6	动作力度 Strength of action	$800 \pm 50\text{gf}$
7	环境温度 The environment temperature	$-15 \sim 75^\circ\text{C}$
8	相对湿度 Relative humidity	$\leq 95\% (40^\circ\text{C})$
9		
10		
11		



NO	配件 Accessories	材料名称 Material	产地 Place of origin	备注 Note	WITHIN 1.5mm: $\pm 0.1\text{mm}$	UNITS mm	东莞市朗纶电子制品有限公司 Dongguan langlun electronic products Co., Ltd				
1	上盖/底座 Topcover/base	PA66	进口/国产 Imports / domestic	黑或白 Black or white	OVER 1.5mm: $\pm 0.2\text{mm}$	MAT'L	3K-KAMING		TITLE: PUSH SWITCH / VERTICAL		PART NO.: 3K-8-202A
2	按钮/内件 Button/interior	POM	进口/国产 Imports / domestic	黑或白 Black or white		SEE NOTE	DR: Ricky 2015/03/23		DWG NO.: 3K-8-202A		
3	端子/拉伸件 Terminals/stretchers	黄铜 Brass	进口/国产 Imports / domestic	表层镀银 Surface of silver		FINISH	CHKD: Ricky 2015/03/23		SCALE: 4:1		SHEET: 1/1
4	弹簧 spring	碳素钢丝 Carbon steel wire	进口/国产 Imports / domestic	表层镀银 Surface of silver		SEE NOTE	APPD:		REV. A		CUSTOMER DRAWING
5	弹片 Shrapnel	磷铜 Phosphor copper	进口/国产 Imports / domestic	表层镀银 Surface of silver		Q'TY	APPD:				
6	钩针 Crochet	黄铜 Brass	进口/国产 Imports / domestic	表层镀银 Surface of silver			APPD:				

THESE DRAWINGS AND SPECIFICATIONS ARE THE PROPERTY OF ACCURATE 3K-KAMING(LANG LUN) INC. AND SHALL NOT BE REPRODUCED, COPIED OR USED IN ANY MANNER WITHOUT THE PRIOR WRITTEN CONSENT OF ACCURATE 3K-KAMING(LANG LUN) INC.

