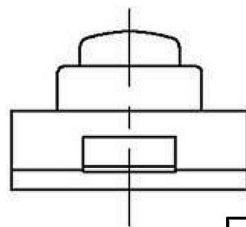
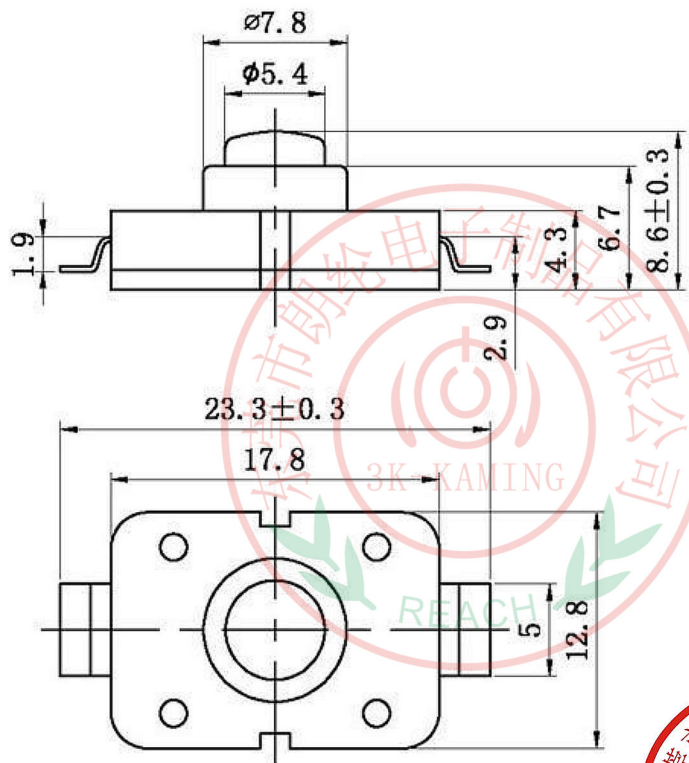




RoHS
Compliant
2002/95/EC

REV.	ECN.	NO.	APPD.

DIMENSIONS



ELECTRO-MECHANICAL CHARACTERISTICS

Refer to additional specifications

1	额定负荷Rated load	AC 250V 1.5A
2	接触电阻Contact resistance	$\leq 100\text{m}\Omega$
3	绝缘电阻Insulation resistance	$\geq 100\text{M}\Omega$
4	耐压Withstand Voltage	AC 500V (50HZ) /1min
5	电器寿命Life	≥ 20000
6	动作力度Strength of action	$800 \pm 50\text{gf}$
7	环境温度The environment temperature	$-15 \sim 75^\circ\text{C}$
8	相对湿度Relative humidity	$\leq 95\%$ (40°C)
9		
10		
11		



NO	配件Accessories	材料名称Material	产地Place of origin	备注Note	WITHIN 1.5mm: $\pm 0.1\text{mm}$	UNITS mm	东莞市朗纶电子制品有限公司 Dongguan langlun electronic products Co., Ltd			
1	上盖/底座Topcover/base	PA66	进口/国产Imports / domestic	黑或白Black or white	OVER 1.5mm: $\pm 0.2\text{mm}$	MAT'L	3K-KAMING® TITLE: PUSH SWITCH / VERTICAL	PART NO.: 3K-8-108A		
2	按钮/内件Button/interior	POM	进口/国产Imports / domestic	黑或白Black or white	SEE NOTE	DR: Ricky 2015/03/23				
3	端子/拉伸件Terminals/stretchers	黄铜Brass	进口/国产Imports / domestic	表层镀银Surface of silver	THESE DRAWINGS AND SPECIFICATIONS ARE THE PROPERTY OF ACCURATE 3K-KAMING(LANG LUN) INC. AND SHALL NOT BE REPRODUCED, COPIED OR USED IN ANY MANNER WITHOUT THE PRIOR WRITTEN CONSENT OF ACCURATE 3K-KAMING(LANG LUN) INC.	FINISH	CHKD: Ricky 2015/03/23	DWG NO.: 3K-8-108A		
4	弹簧spring	碳素钢丝Carbon steel wire	进口/国产Imports / domestic	表层镀银Surface of silver		SEE NOTE				
5	弹片 Shrapnel	磷铜Phosphor copper	进口/国产Imports / domestic	表层镀银Surface of silver		Q'TY	SCALE	SHEET	REV.	CUSTOMER
6	钩针 Crochet	黄铜 Brass	进口/国产Imports / domestic	表层镀银Surface of silver			4:1	1/1	A	DRAWING