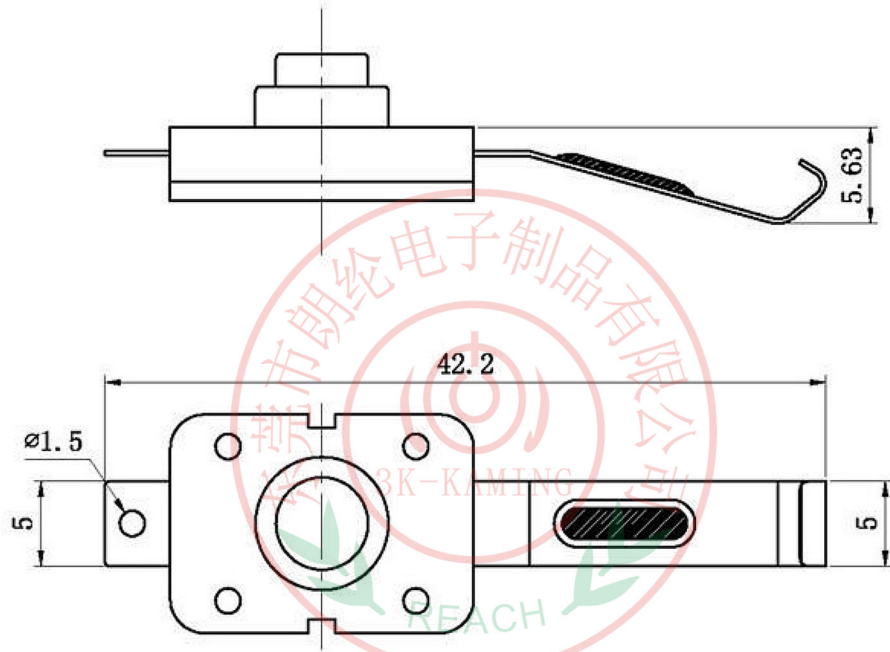




RoHS
Compliant
2002/95/EC

REV.	ECN.	NO.	APPD.

DIMENSIONS



ELECTRO-MECHANICAL CHARACTERISTICS

Refer to additional specifications

1	额定负荷Rated load	AC 250V 1.5A
2	接触电阻Contact resistance	≤100mΩ
3	绝缘电阻Insulation resistance	≥100MΩ
4	耐压Withstand Voltage	AC 500V (50HZ) /1min
5	电器寿命Life	≥20000
6	动作力度Strength of action	800±50gf
7	环境温度The environment temperature	-15~75℃
8	相对湿度Relative humidity	≤95% (40℃)
9		
10		
11		

NO	配件Accessories	材料名称Material	产地Place of origin	备注Note	WITHIN 1.5mm: ±0.1mm	OVER 1.5mm: ±0.2mm	UNITS mm	东莞市朗纶电子制品有限公司 Dongguan langlun electronic products Co., Ltd			
1	上盖/底座Topcover/base	PA66	进口/国产Imports / domestic	黑或白Black or white			MAT'L	3K-KAMING®		PART NO.: 3K-8-108-45A	
2	按钮/内件Button/interior	POM	进口/国产Imports / domestic	黑或白Black or white			SEE NOTE	TITLE: PUSH SWITCH / VERTICAL		DWG NO.: 3K-8-108-45A	
3	端子/拉伸件Terminals/stretchers	黄铜Brass	进口/国产Imports / domestic	表层镀银Surface of silver			FINISH	DR: Ricky 2015/03/23		SCALE: 4:1	
4	弹簧spring	碳素钢丝Carbon steel wire	进口/国产Imports / domestic	表层镀银Surface of silver			SEE NOTE	CHKD: Ricky 2015/03/23		SHEET: 1/1	
5	弹片 Shrapnel	磷铜Phosphor copper	进口/国产Imports / domestic	表层镀银Surface of silver			Q'TY	APPD:		REV. A	
6	钩针 Crochet	黄铜 Brass	进口/国产Imports / domestic	表层镀银Surface of silver				CUSTOMER DRAWING			

THESE DRAWINGS AND SPECIFICATIONS ARE THE PROPERTY OF ACCURATE 3K-KAMING(LANG LUN) INC. AND SHALL NOT BE REPRODUCED, COPIED OR USED IN ANY MANNER WITHOUT THE PRIOR WRITTEN CONSENT OF ACCURATE 3K-KAMING(LANG LUN) INC.

