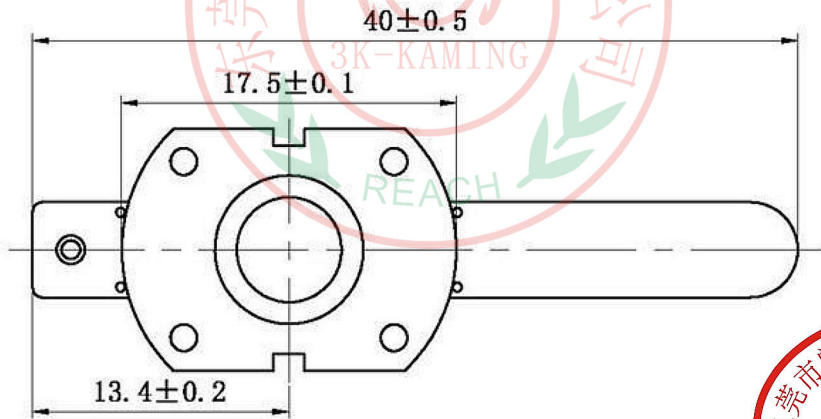
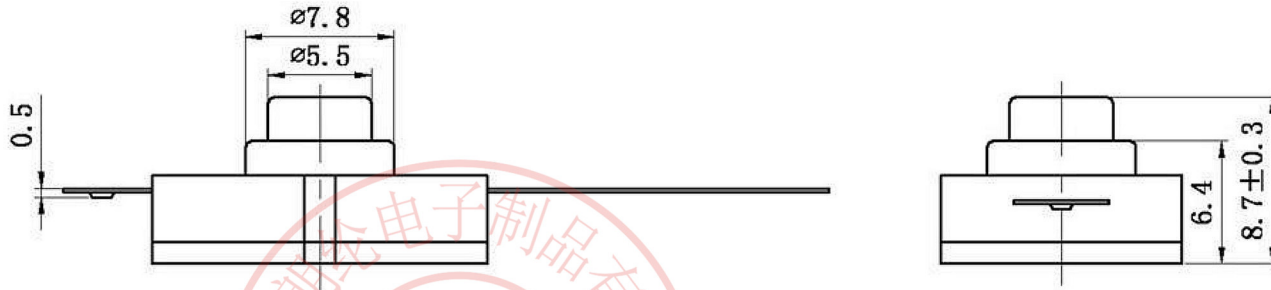




RoHS  
Compliant  
2002/95/EC

| REV. | ECN. | NO. | APPD. |
|------|------|-----|-------|
|      |      |     |       |
|      |      |     |       |

## DIMENSIONS



## ELECTRO-MECHANICAL CHARACTERISTICS

Refer to additional specifications

|    |                                 |                      |
|----|---------------------------------|----------------------|
| 1  | 额定负荷Rated load                  | AC 250V 1.5A         |
| 2  | 接触电阻Contact resistance          | ≤100mΩ               |
| 3  | 绝缘电阻Insulation resistance       | ≥100MΩ               |
| 4  | 耐压Withstand Voltage             | AC 500V (50HZ) /1min |
| 5  | 电器寿命Life                        | ≥20000               |
| 6  | 动作力度Strength of action          | 800±50gf             |
| 7  | 环境温度The environment temperature | -15~75℃              |
| 8  | 相对湿度Relative humidity           | ≤95% (40℃)           |
| 9  |                                 |                      |
| 10 |                                 |                      |
| 11 |                                 |                      |



| NO | 配件Accessories              | 材料名称Material          | 产地Place of origin       | 备注Note                | WITHIN 1.5mm: ±0.1mm | UNITS mm | <br><b>东莞市朗纶电子制品有限公司</b><br><b>Dongguan langlun electronic products Co., Ltd</b>   |  |
|----|----------------------------|-----------------------|-------------------------|-----------------------|----------------------|----------|--|--|
| 1  | 上盖/底座Topcover/base         | PA66                  | 进口/国产Imports / domestic | 黑或白Black or white     | OVER 1.5mm: ±0.2mm   | MAT'L    |  |  |
| 2  | 按钮/内件Button/interior       | POM                   | 进口/国产Imports / domestic | 黑或白Black or white     |                      | SEE NOTE |  |  |
| 3  | 端子/拉伸件Terminals/stretchers | 黄铜Brass               | 进口/国产Imports / domestic | 表层镀银Surface of silver |                      | FINISH   |  |  |
| 4  | 弹簧spring                   | 碳素钢丝Carbon steel wire | 进口/国产Imports / domestic | 表层镀银Surface of silver |                      | SEE NOTE |  |  |
| 5  | 弹片 Shrapnel                | 磷铜Phosphor copper     | 进口/国产Imports / domestic | 表层镀银Surface of silver |                      | Q'TY     |  |  |
| 6  | 钩针 Crochet                 | 黄铜 Brass              | 进口/国产Imports / domestic | 表层镀银Surface of silver |                      |          | THESE DRAWINGS AND SPECIFICATIONS ARE THE PROPERTY OF ACCURATE 3K-KAMING(LANG LUN) INC. AND SHALL NOT BE REPRODUCED, COPIED OR USED IN ANY MANNER WITHOUT THE PRIOR WRITTEN CONSENT OF ACCURATE 3K-KAMING(LANG LUN) INC. |  |
|    |                            |                       |                         |                       |                      |          |  | <b>东莞市朗纶电子制品有限公司</b><br><b>Dongguan langlun electronic products Co., Ltd</b> |
|    |                            |                       |                         |                       |                      |          | TITLE: PUSH SWITCH / VERTICAL<br>DR: Ricky 2015/03/23<br>CHKD: Ricky 2015/03/23<br>APPD:   | PART NO.: 3K-8-107MA<br>DWG NO.: 3K-8-107MA                                  |
|    |                            |                       |                         |                       |                      |          | SCALE: 4:1<br>SHEET: 1/1<br>REV: A<br>CUSTOMER DRAWING   |  |