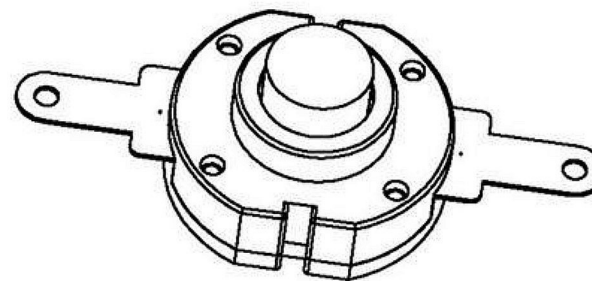
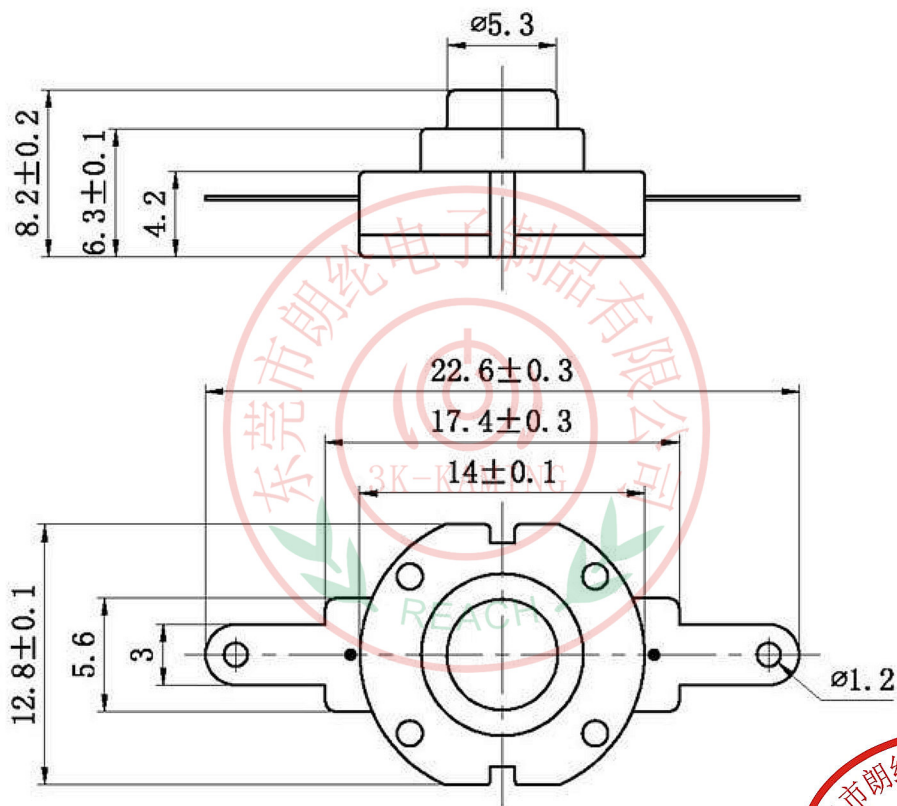




RoHS
Compliant
2002/95/EC

| REV. | ECN. | NO. | APPD. |
|------|------|-----|-------|
| | | | |
| | | | |

DIMENSIONS



ELECTRO-MECHANICAL CHARACTERISTICS

Refer to additional specifications

| | | |
|----|---------------------------------|--------------------------|
| 1 | 额定负荷Rated load | AC 250V 1.5A |
| 2 | 接触电阻Contact resistance | $\leq 100m\Omega$ |
| 3 | 绝缘电阻Insulation resistance | $\geq 100M\Omega$ |
| 4 | 耐压Withstand Voltage | AC 500V (50HZ) /1min |
| 5 | 电器寿命Life | ≥ 20000 |
| 6 | 动作力度Strength of action | $800 \pm 50gf$ |
| 7 | 环境温度The environment temperature | $-15 \sim 75^\circ C$ |
| 8 | 相对湿度Relative humidity | $\leq 95\% (40^\circ C)$ |
| 9 | | |
| 10 | | |
| 11 | | |



| NO | 配件Accessories | 材料名称Material | 产地Place of origin | 备注Note | WITHIN 1.5mm: $\pm 0.1mm$ | UNITS mm | 东莞市朗纶电子制品有限公司 Dongguan langlun electronic products Co., Ltd |
|----|----------------------------|-----------------------|-------------------------|-----------------------|---------------------------|----------|--|
| 1 | 上盖/底座Topcover/base | PA66 | 进口/国产Imports / domestic | 黑或白Black or white | OVER 1.5mm: $\pm 0.2mm$ | MAT'L | |
| 2 | 按钮/内件Button/interior | POM | 进口/国产Imports / domestic | 黑或白Black or white | | SEE NOTE | |
| 3 | 端子/拉伸件Terminals/stretchers | 黄铜Brass | 进口/国产Imports / domestic | 表层镀银Surface of silver | | FINISH | |
| 4 | 弹簧spring | 碳素钢丝Carbon steel wire | 进口/国产Imports / domestic | 表层镀银Surface of silver | | SEE NOTE | |
| 5 | 弹片 Shrapnel | 磷铜Phosphor copper | 进口/国产Imports / domestic | 表层镀银Surface of silver | | Q'TY | |
| 6 | 钩针 Crochet | 黄铜 Brass | 进口/国产Imports / domestic | 表层镀银Surface of silver | | | |

THESE DRAWINGS AND SPECIFICATIONS ARE THE PROPERTY OF ACCURATE 3K-KAMING(LANG LUN) INC. AND SHALL NOT BE REPRODUCED, COPIED OR USED IN ANY MANNER WITHOUT THE PRIOR WRITTEN CONSENT OF ACCURATE 3K-KAMING(LANG LUN) INC.

| | |
|------------------------|----------------------|
| DR: Ricky 2015/03/23 | PART NO.: 3K-8-006AA |
| CHKD: Ricky 2015/03/23 | DWG NO.: 3K-8-006AA |
| APPD: | SCALE: 4:1 |
| | SHEET: 1/1 |
| | REV: A |
| | CUSTOMER DRAWING |