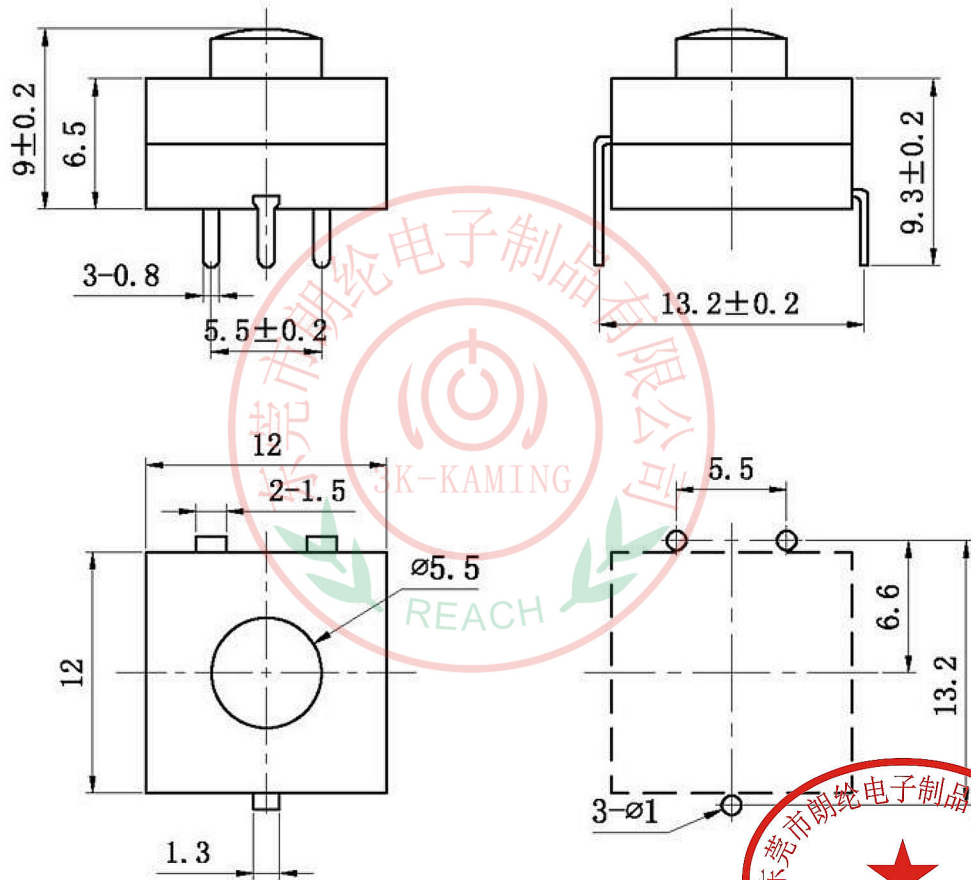




RoHS
Compliant
2002/95/EC

REV.	ECN.	NO.	APPD.

DIMENSIONS



3P-ON-ON-OFF

ELECTRO-MECHANICAL CHARACTERISTICS

Refer to additional specifications

1	额定负荷 Rated load	50V 0.5A DC
2	接触电阻 Contact resistance	$\leq 100m\Omega$
3	绝缘电阻 Insulation resistance	$\geq 100M\Omega$
4	耐压 Withstand Voltage	AC 500V (50HZ) / 1min
5	电器寿命 Life	≥ 50000
6	动作力度 Strength of action	$800 \pm 50gf$
7	环境温度 The environment temperature	$-15 \sim 75^\circ C$
8	相对湿度 Relative humidity	$\leq 95\% (40^\circ C)$
9		
10		
11		



NO	配件 Accessories	材料名称 Material	产地 Place of origin	备注 Note	WITHIN 1.5mm: $\pm 0.1mm$	UNITS mm	 东莞市朗纶电子制品有限公司 Dongguan langlun electronic products Co., Ltd
1	上盖/底座 Topcover/base	PA66	进口/国产 Imports / domestic	黑或白 Black or white	OVER 1.5mm: $\pm 0.2mm$	MAT'L	
2	按钮/内件 Button/interior	POM	进口/国产 Imports / domestic	黑或白 Black or white		SEE NOTE	
3	端子/拉伸件 Terminals/stretchers	黄铜 Brass	进口/国产 Imports / domestic	表层镀银 Surface of silver		FINISH	DR: Ricky 2015/03/23 DWG NO.: 3K-6-301
4	弹簧 spring	碳素钢丝 Carbon steel wire	进口/国产 Imports / domestic	表层镀银 Surface of silver		SEE NOTE	
5	弹片 Shrapnel	磷铜 Phosphor copper	进口/国产 Imports / domestic	表层镀银 Surface of silver	THESE DRAWINGS AND SPECIFICATIONS ARE THE PROPERTY OF ACCURATE 3K-KAMING(LANG LUN) INC. AND SHALL NOT BE REPRODUCED, COPIED OR USED IN ANY MANNER WITHOUT THE PRIOR WRITTEN CONSENT OF ACCURATE 3K-KAMING(LANG LUN) INC.	Q'TY	CHKD: Ricky 2015/03/23 APPD:
6	钩针 Crochet	黄铜 Brass	进口/国产 Imports / domestic	表层镀银 Surface of silver			