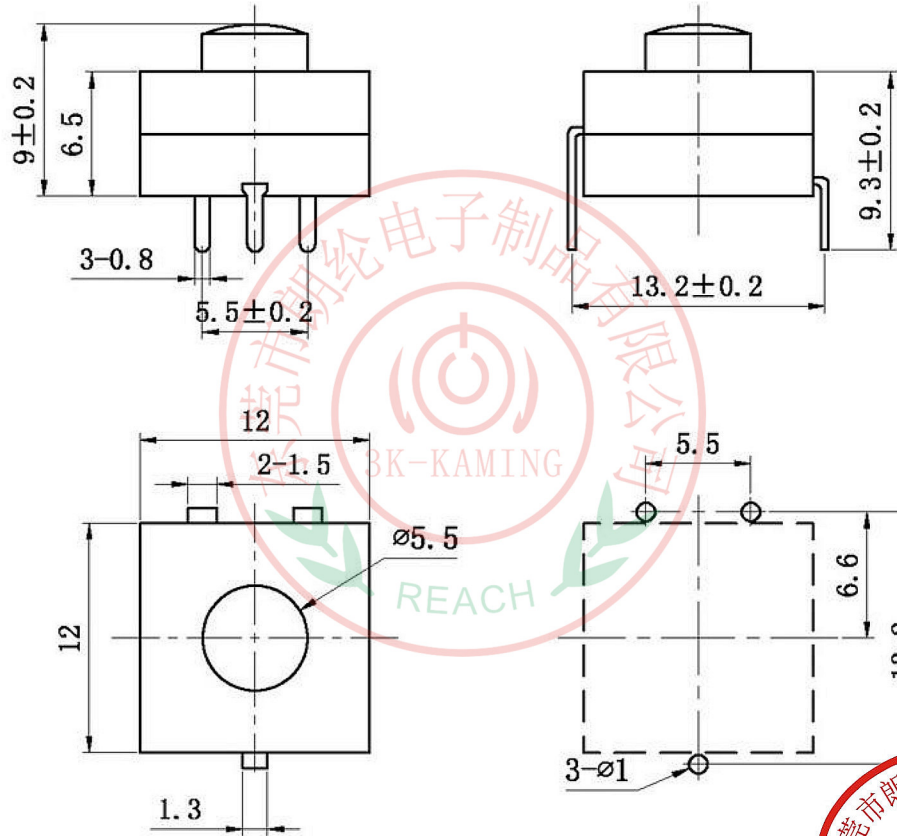




RoHS
Compliant
2002/95/EC

REV.	ECN.	NO.	APPD.

DIMENSIONS



3P-ON-ON-OFF

ELECTRO-MECHANICAL CHARACTERISTICS

Refer to additional specifications

1	额定负荷Rated load	AC 0.5A 50V
2	接触电阻Contact resistance	$\leq 100m\Omega$
3	绝缘电阻Insulation resistance	$\geq 100M\Omega$
4	耐压Withstand Voltage	AC 500V (50HZ) /1min
5	电器寿命Life	≥ 50000
6	动作力度Strength of action	$800 \pm 50gf$ (5-12N)
7	环境温度The environment temperature	$-15 \sim 75^\circ C$
8	相对湿度Relative humidity	$\leq 95\%$ (40 $^\circ C$)
9		
10		
11		



NO	配件Accessories	材料名称Material	产地Place of origin	备注Note	WITHIN 1.5mm: $\pm 0.1mm$	UNITS mm	 东莞市朗纶电子制品有限公司 Dongguan langlun electronic products Co., Ltd
1	上盖/底座Topcover/base	PA66	进口/国产Imports / domestic	黑或白Black or white	OVER 1.5mm: $\pm 0.2mm$	MAT'L	
2	按钮/内件Button/interior	POM	进口/国产Imports / domestic	黑或白Black or white		SEE NOTE	
3	端子/拉伸件Terminals/stretchers	黄铜Brass	进口/国产Imports / domestic	表层镀银Surface of silver		FINISH	
4	弹簧spring	碳素钢丝Carbon steel wire	进口/国产Imports / domestic	表层镀银Surface of silver		SEE NOTE	
5	弹片 Shrapnel	磷铜Phosphor copper	进口/国产Imports / domestic	表层镀银Surface of silver		Q'TY	
6	钩针 Crochet	黄铜 Brass	进口/国产Imports / domestic	表层镀银Surface of silver			TITLE: PUSH SWITCH / VERTICAL PART NO.: 3K-6-105E DR: Ricky 2015/03/23 DWG NO.: 3K-6-105E CHKD: Ricky 2015/03/23 APPD:
<small>THESE DRAWINGS AND SPECIFICATIONS ARE THE PROPERTY OF ACCURATE 3K-KAMING(LANG LUN) INC. AND SHALL NOT BE REPRODUCED, COPIED OR USED IN ANY MANNER WITHOUT THE PRIOR WRITTEN CONSENT OF ACCURATE 3K-KAMING(LANG LUN) INC.</small>							SCALE: 4:1 SHEET: 1/1 REV.: A CUSTOMER DRAWING