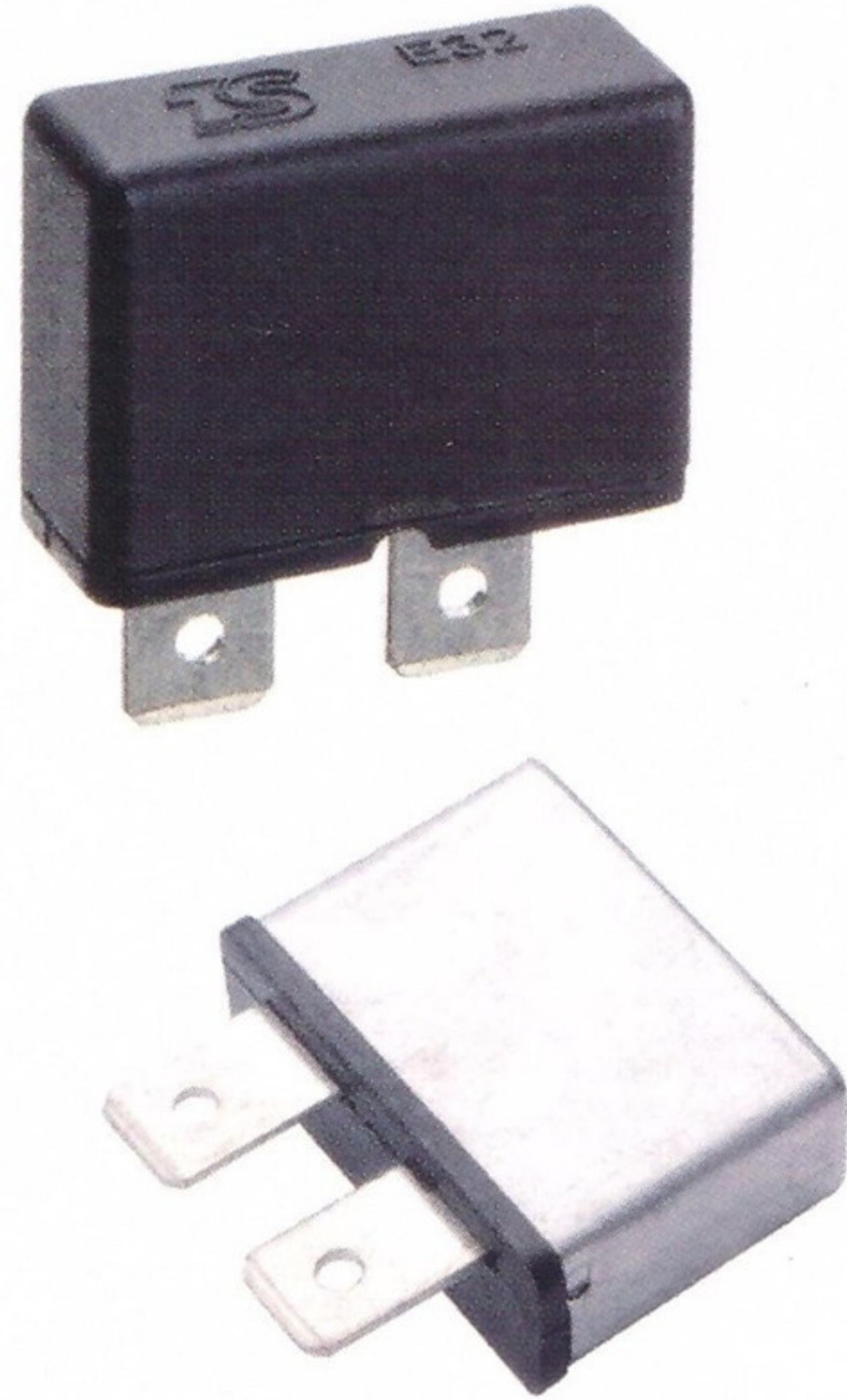
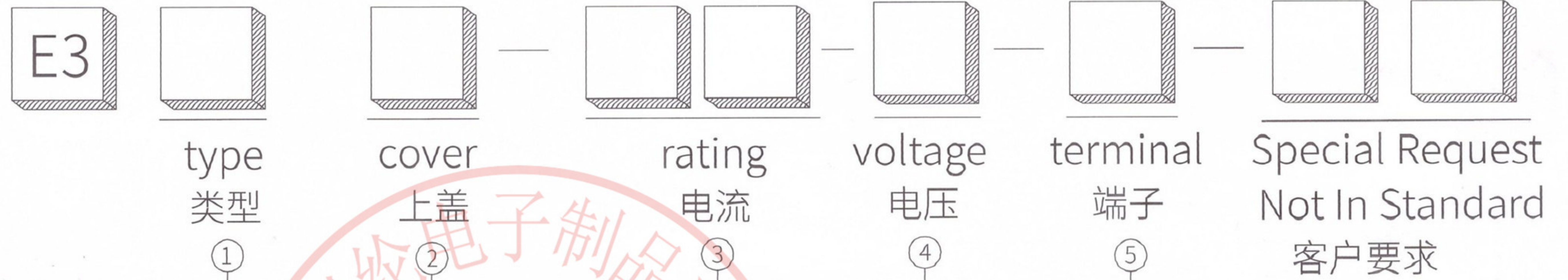


◆ 产品图片 Product picture

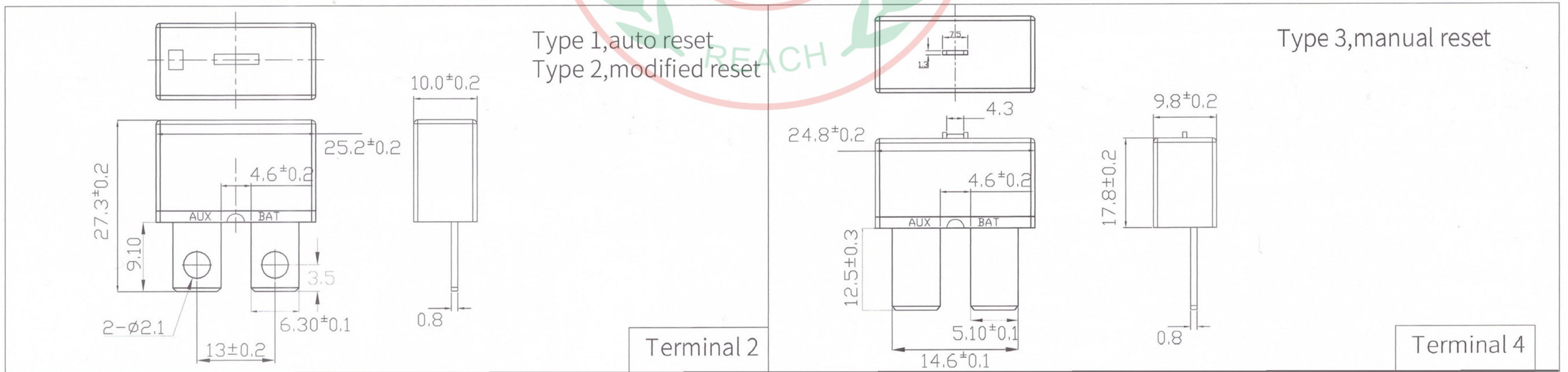


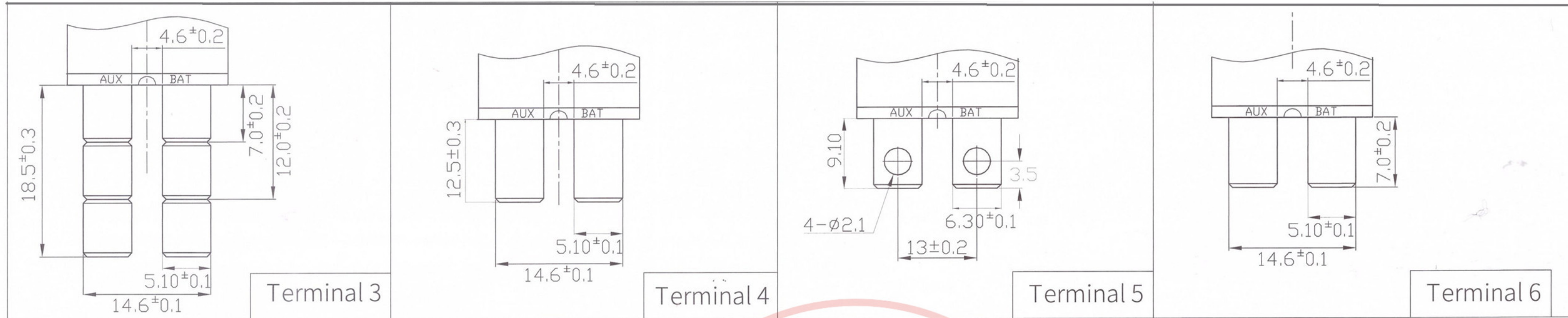
◆ E3 系列产品命名 Name of E3 series products



1	自动复位 auto reset	1	铝外壳 aluminum Cover	code	Amp	1	125Vac	2	Quick connect, 6.3x9.1mm
2	电控 modified reset	2	塑胶外壳 plastic(PBT) cover	05	5A	2	250Vac	3	3 section breakable, 5.1x18.5mm
3	手动复位 manual reset			15	15A	4	14Vdc	4	.280 type ATC fuse block, 5.1x12.5mm
				20	20A	6	6Vdc	5	QC, 6.3x9.1mm with 4mm dia. hole
				25	25A	8	28Vdc	6	.280 type ATC fuse block, 5.1x7.0mm
				30	30A				

T1/T2, Aluminum cover
T3, Plastic cover

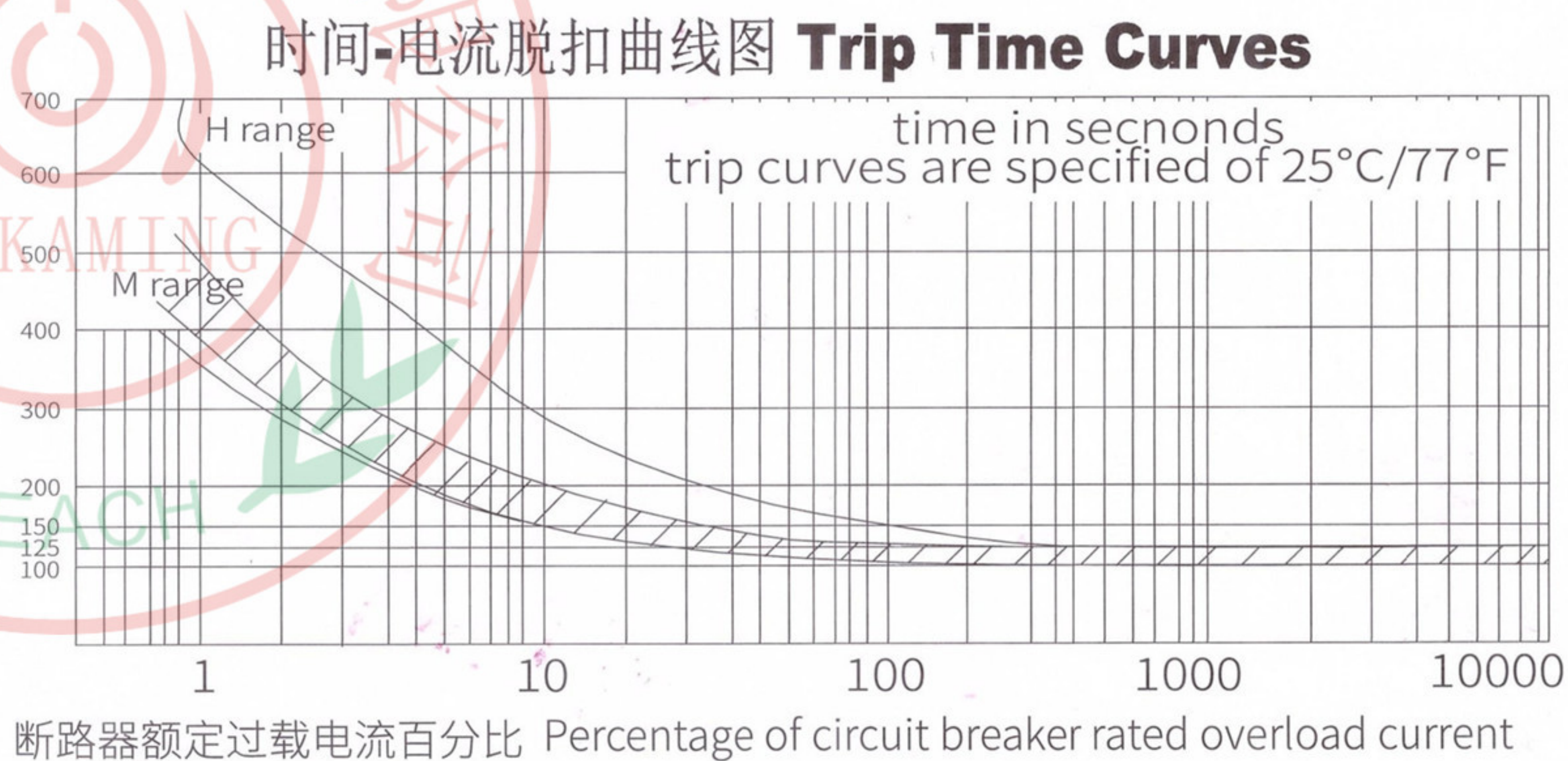




◆ 主要技术参数 Specification

额定电压 Rated Voltage	6~24Vdc
额定电流 Rated Current	5~30A
操作方式 Method of Operation	R, J TYPE
过载能力 Resettable Overload Capacity	10倍额定电流 Ten Times Rated Current
介电强度 Dielectric Strength	1,500Vac 1 minute
工作温度 Operating Temperature Range	-40°C ~ 85°C
符合标准 Compliance	SAE J553 SAE J1171(plastic cover)

◆ 时间-电流特性曲线 @ +25°C Time VS. Current Trip Curve @ +25°C



◆ 跳脱范围参数 Trip time on range description

Overload Percent for H range		Overload Percent for M range	
125%	20~360 sec	150%	10~40 sec
150%	10~120 sec	200%	5.0~12 sec
200%	4.0~3.5 sec		
300%	1.8~10 sec		

Do not perform over 500% overload testing without a protect system
在没有保护系统的情况下，不要执行超过500%的过载测试

