

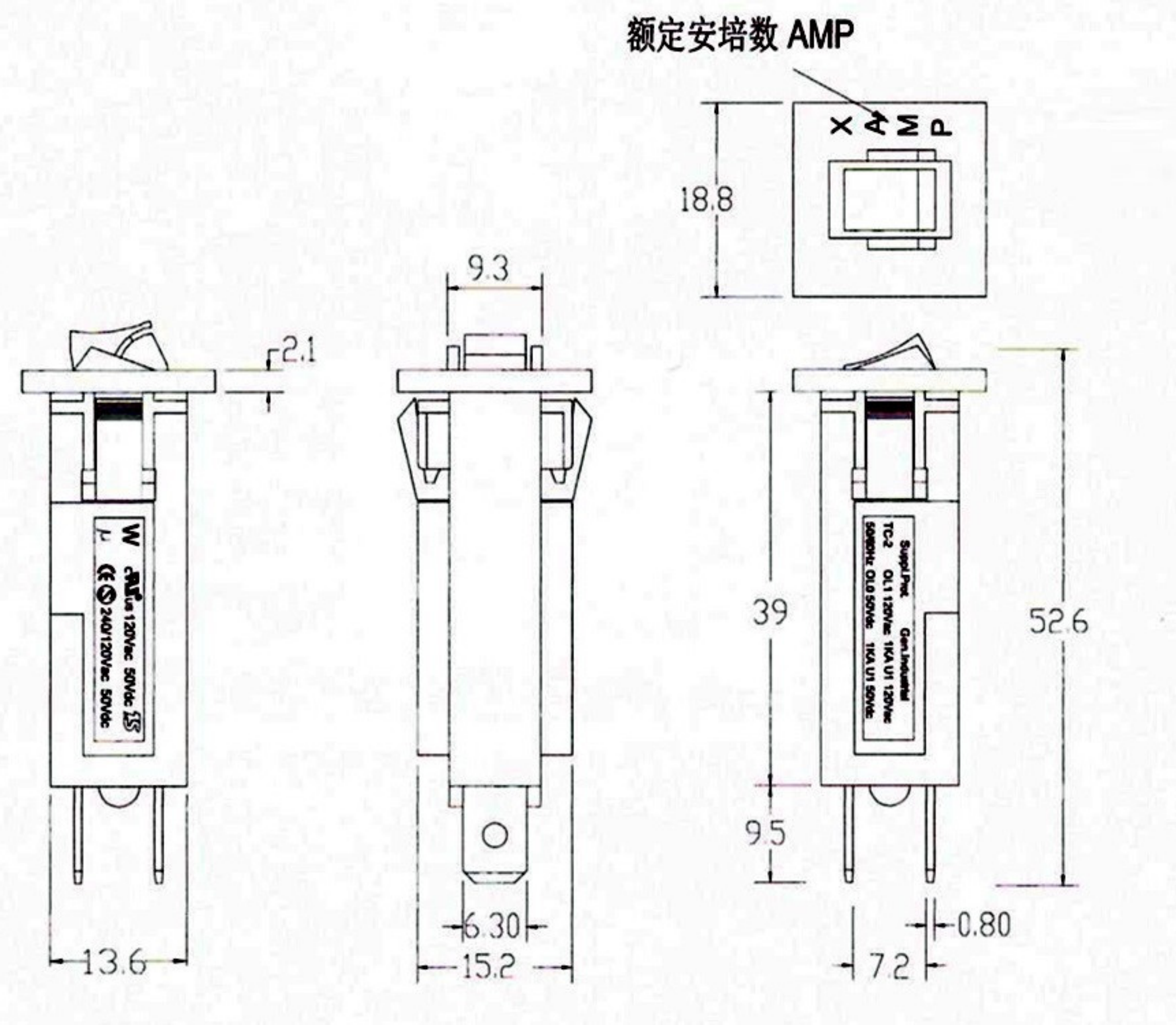
◆ 产品图片 Product picture



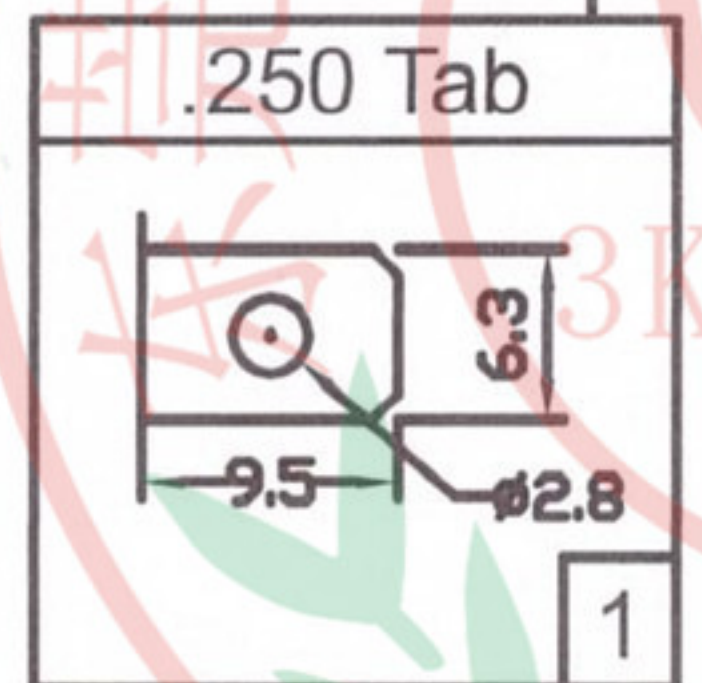
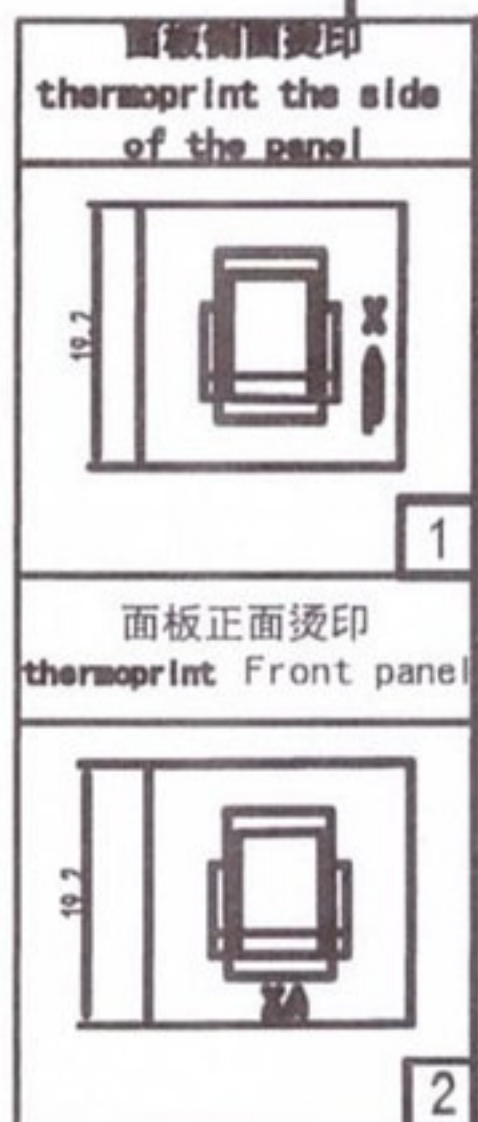
◆ 主要技术参数 Specification

额定电压 Rated Voltage	AC 125/250V DC 32V
额定电流 Rated Current	1.5-20A
限制短路电流 Interrupt Capacity	125VacX1000A 250VacX200A
绝缘阻抗 Insulation Resistance	>100 M Ω
过载能力 Resettable Overload Capacity	10倍额定电流 Ten Times Rated Current
介电强度 Dielectric Strength	1,500Vac 1 minute
重量 Weight	Approx 8.4g (0.30 OZ.)
压降 Voltage Drop	Less than 0.25V
复位时间 Reset Time	60秒以内 With 60 Seconds
操作方式 Method of Operation	R Type
工作温度 Operating Temperature Range	-10°C ~ 60°C
端子温升 The temperature rise of the terminal	环境温度在28°C下通额定电流温度低於 65°C Ambient temperature under 28 °C temperature below 65 °C rated current
电气寿命 electrical life	125Vac X 150%额定电流> 500 个操作循环 125Vac X 150% rated current > 500 operating cycles

外形尺寸 Outline Dimensions

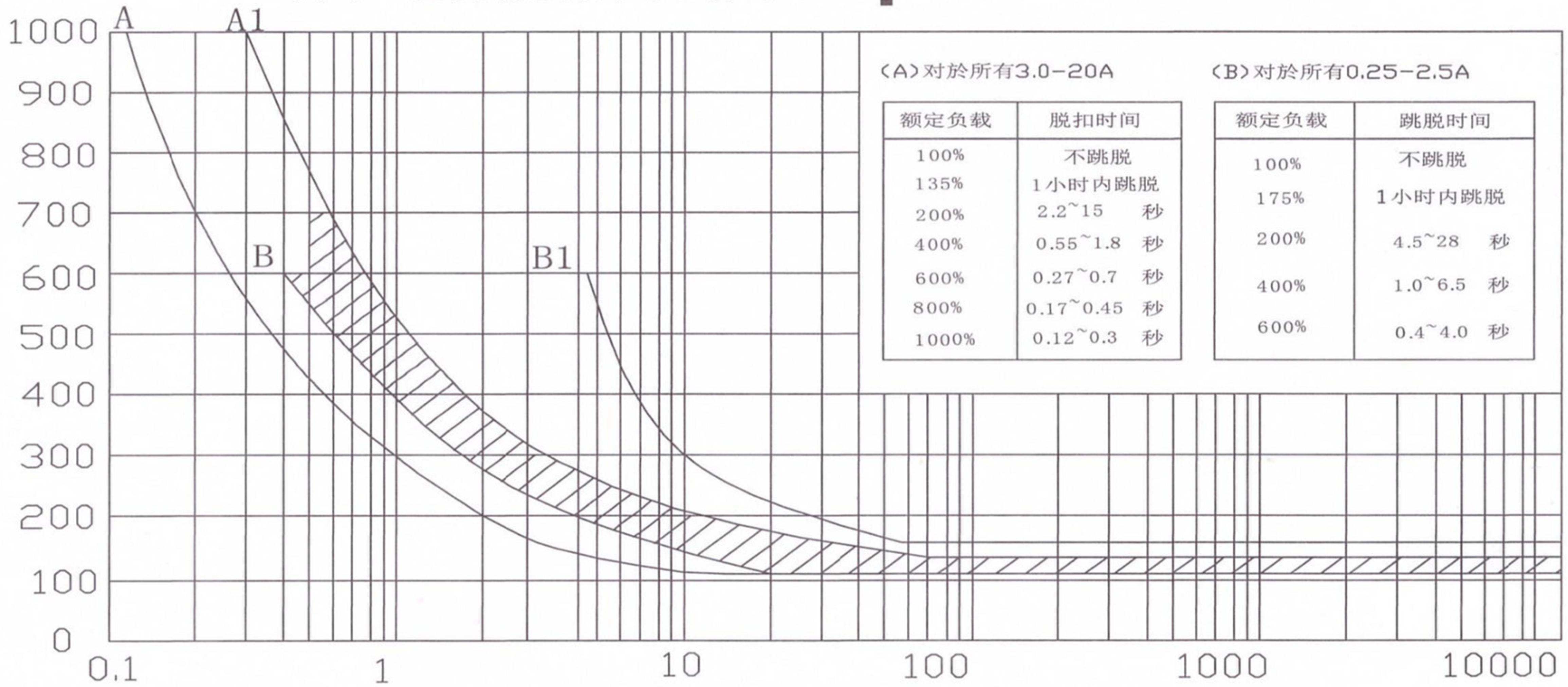


产品命名 Ordering Information

W	200	1	B	F	1																							
产品系列 Series	额定电流 Rated Current	端子类型 Terminal Type	框架&按钮 Buttons & frames	本体 Case	烫印 Thermoprint																							
<table border="1"> <tr><td>A25</td><td>0.25A</td></tr> <tr><td>A50</td><td>0.5A</td></tr> <tr><td>O10</td><td>1A</td></tr> <tr><td>⋮</td><td>⋮</td></tr> <tr><td>150</td><td>15A</td></tr> <tr><td>160</td><td>16A</td></tr> <tr><td>200</td><td>20A</td></tr> </table>	A25	0.25A	A50	0.5A	O10	1A	⋮	⋮	150	15A	160	16A	200	20A		<table border="1"> <tr><td>1</td><td>黑色雾面 Black mist</td></tr> <tr><td>2</td><td>黑色光面 1.22 2.65 Black nappa 1.22 2.65</td></tr> <tr><td>3</td><td>黑色光面 0.51 1.50 Black nappa 0.51 1.50</td></tr> </table>	1	黑色雾面 Black mist	2	黑色光面 1.22 2.65 Black nappa 1.22 2.65	3	黑色光面 0.51 1.50 Black nappa 0.51 1.50	<table border="1"> <tr><td>1</td><td>黑色 Black</td></tr> <tr><td>2</td><td>灰色 Grap</td></tr> </table>	1	黑色 Black	2	灰色 Grap	
A25	0.25A																											
A50	0.5A																											
O10	1A																											
⋮	⋮																											
150	15A																											
160	16A																											
200	20A																											
1	黑色雾面 Black mist																											
2	黑色光面 1.22 2.65 Black nappa 1.22 2.65																											
3	黑色光面 0.51 1.50 Black nappa 0.51 1.50																											
1	黑色 Black																											
2	灰色 Grap																											

时间-电流特性曲线 @ +25°C Time VS. Current Trip Curve @ +25°C

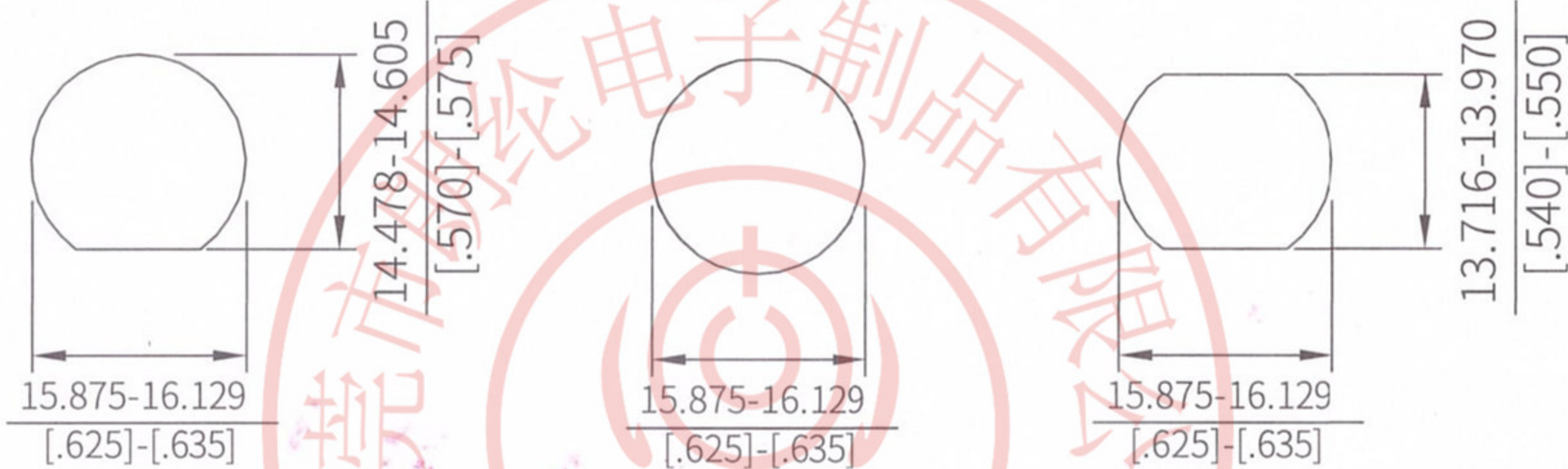
时间-电流脱扣曲线图 Trip Time Curves



断路器额定过载电流百分比 Percentage of circuit breaker rated overload current
 时间单位 **Time In Seconds:** 秒 脱扣曲线环境温度 **Trip Curves Are Specified: 25°C/77°F**

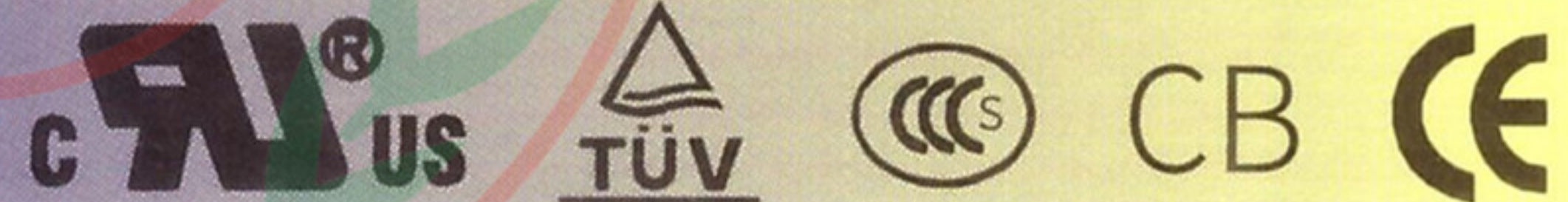
- 100% 额定电流: 不脱扣
- 100% Rated Current: Hold, No-Trip
- 135% 额定电流: 1小时内脱扣
- 135% Rated Current: Trip in 1 Hour
- 150% 额定电流: 半小时内脱扣
- 150% Rated Current: Trip in 0.5 Hour
- 200% 额定电流: 1分钟内脱扣
- 200% Rated Current: Trip in 1 Minute

面板安装孔 Panel mounting hole



面板安装厚度为: .032"-.062" (.813mm-1.574mm)

安规认证 Approval



认证 Approval	证书编号 File No.	额定电流 Rated Current Range	额定电压 Rated Voltage	标准 Standard
UL+cUL	E478741	2~20A	125/250VAC 32VDC	UL1077 CSA C22.2 NO.235
TUV	R50159372	0.5~20A	125/250VAC 32VDC	EN60934
CCC	PENDING	3~20A	125/250VAC 32VDC	GB17701
CB	PENDING	3~20A	125/250VAC 32VDC	IEC60934

◆ 额定电流下的电阻 @ +25°C Typical Resistance VS. Current Rating @ +25°C

额定电流 Current Rating in Amps	内电阻 Ω Typical Resistance	额定电流 Current Rating in Amps	内电阻 Ω Typical Resistance
1.5~2.0A	0.150	8~9A	0.016
2.5~3A	0.120	10~11A	0.012
3~4A	0.080	12~13A	0.010
4~5A	0.040	14~16A	0.008
5~6A	0.025	18~20A	0.006
6~7A	0.020		

◆ 环境校正系数表 Ambient Compensation Table

环境温度下校正系数表 Capacity Correction Factors For Ambient Temperatures										
Current Rating Amps	温度 Temperature									
	°F	+14	+32	+50	+68	+77	+86	+104	+122	+140
	°C	-10	+0	+10	+20	+25	+30	+40	+50	+60
1.5 to 20A	X0.80	X0.85	X0.90	X0.96	X1.00	X1.04	X1.15	X1.39	X1.49	

以环境温度 +25°C 为基准单位, 根据额定电流的高低按照系数表进行计算。
The unit is calibrated for ambient temperature of +25°C.
To determine the rated current for a lower or higher ambient temperature, use a correction factor as above.