

◆ 产品图片 Product picture



◆ 主要技术参数 Specification

额定电压 Rated Voltage	AC 125/250V
额定电流 Rated Current	5~20A
极数 Pole number	单极 Single pole
限制短路电流 Interrupt Capacity	1000A (UL1077)
绝缘阻抗 Insulation Resistance	>500 M Ω
过载能力 Resettable Overload Capacity	6 倍额定电流 Ten Times Rated Current
介电强度 Dielectric Strength	1,500Vac 1 minute
重量 (带灯) Weight (-Neon Lamp)	Approx 7.2g (0.25 OZ.)
操作力 Operating force	280-450g
操作次数 the number of operations	10000 次
操作方式 Method of Operation	S Type
工作温度 Operating Temperature Range	-10°C ~ 60°C
接线端子 Terminal	快插或焊锡 .250QC or Tab terminal
外壳材质 Case Material	塑胶, Plastic
端子的温升(环境温度为 25°C) Temperature Rise at Terminal Block	<65 °C Less than 65°C at 100% of rated current
开关寿命 Switch endurance cycling	>6000 次 Over 6000 operations at rating current

◆ 额定电流下的电阻 @ +25°C Typical Resistance VS. Current Rating @ +25°C

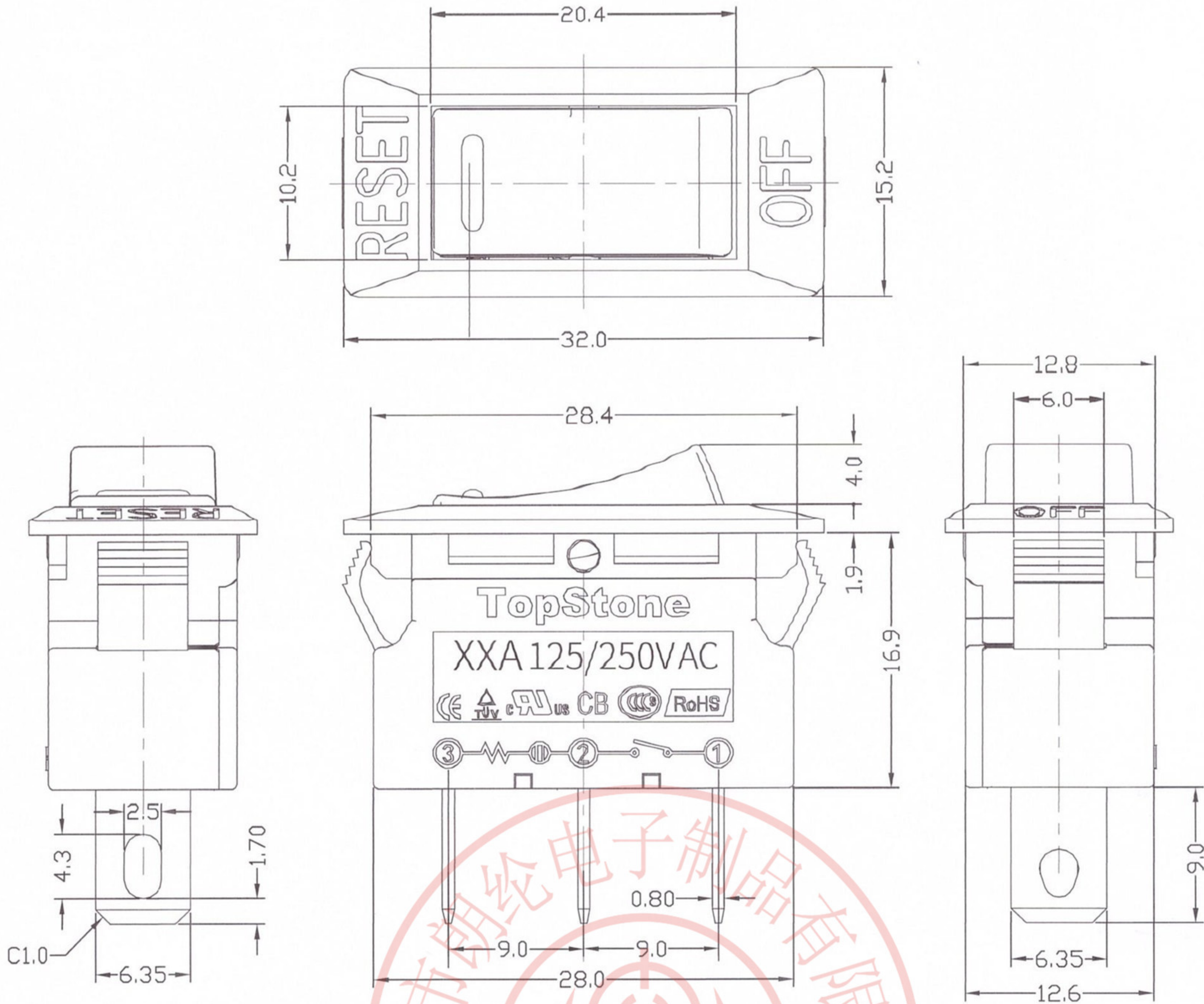
额定电流 A	内电阻 Ω	额定电流 A	内电阻 Ω
3.0	0.035	10.0	0.021
4.0	0.033	12.0	0.018
5.0	0.032	15.0	0.016
6.0	0.030	16.0	0.014
7.0	0.026	20.0	0.010
8.0	0.024		

◆ 环境校正系数表 Ambient Compensation Table

环境温度下校正系数表 Capacity Corrention Factors For Ambient Temperatures										
额定电流 Current Rating Amps	温度 Temperature									
	°F	+14	+32	+50	+68	+77	+86	+104	+122	+140
	°C	-10	+0	+10	+20	+25	+30	+40	+50	+60
5 to 20A		.77	.85	.90	.95	1.00	1.05	1.15	1.25	1.40

以环境温度 +25°C 为基准单位，根据额定电流的高低按照系数表进行计算。
The unit is calibrated for ambient temperature of +25°C.
To determine the rated current for a lower or higher ambient temperature, use a correction factor as above.

◆ 外形尺寸 Outline Dimensions



XXA 125VAC
CE TÜV cUL us CB CCC RoHS

XXA 250VAC
CE TÜV cUL us CB CCC RoHS

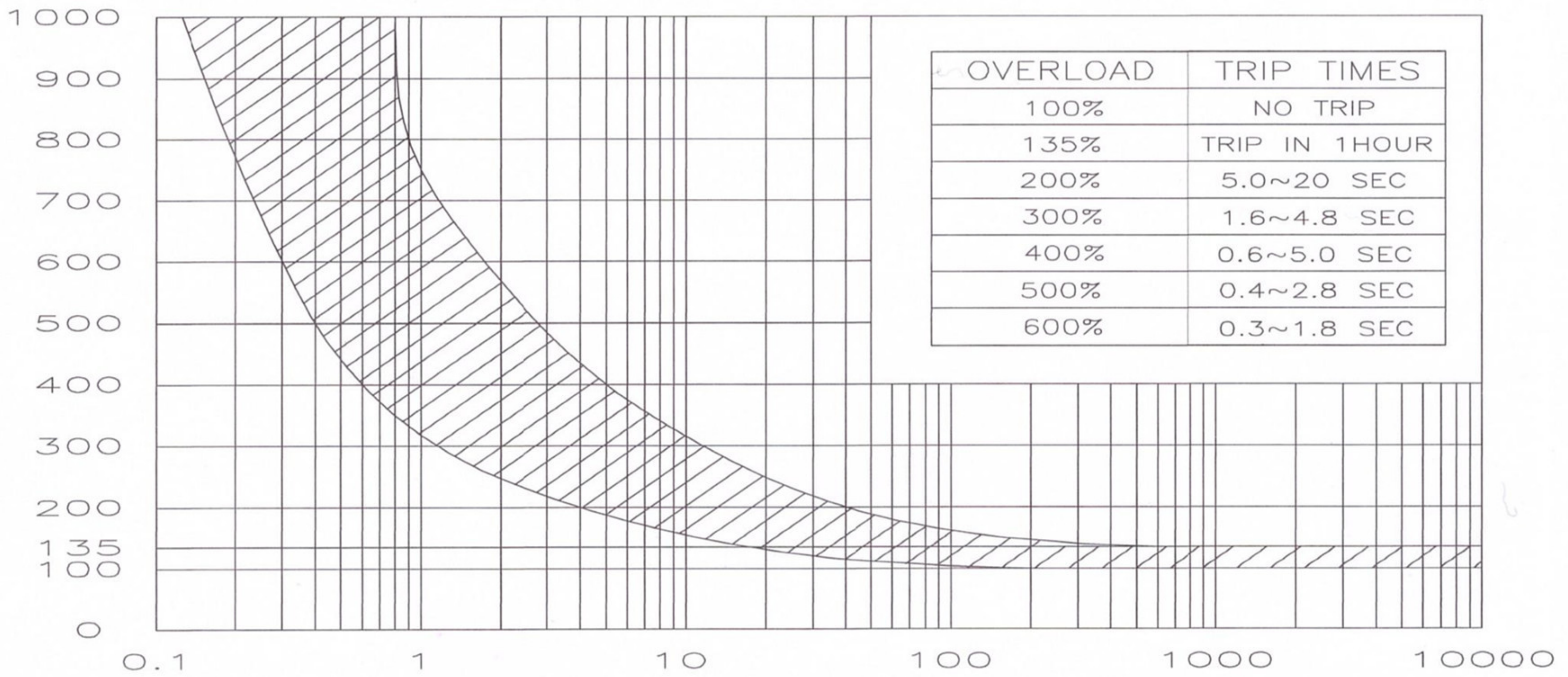
XXA 125/250VAC
CE TÜV cUL us CB CCC RoHS

备注: "XX" = 额定电流 rated current

REACH

时间-电流特性曲线 @ +25°C Time VS. Current Trip Curve @ +25°C

时间-电流脱扣曲线图 Trip Time Curves



断路器额定过载电流百分比 Percentage of circuit breaker rated overload current
 时间单位 **Time In Seconds:** 秒 脱扣曲线环境温度 **Trip Curves Are Specified: 25°C/77°F**

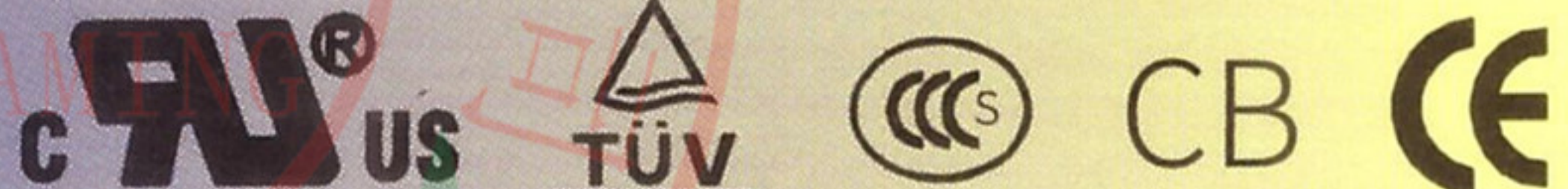
电路图及安装孔 Circuit diagram and mounting hole



面板尺寸表
PANEL HOLE DIMENSION TABLE

X(面板厚) X(PANEL THICKNESS)	Y	Z
0.80~1.25mm	28.5 ^{+0.1} ₋₀	13.5 ^{+0.1} ₋₀
1.25~2.0mm	28.6 ^{+0.1} ₋₀	13.5 ^{+0.1} ₋₀
2.0~2.2mm	28.8 ^{+0.1} ₋₀	13.5 ^{+0.1} ₋₀

安规认证 Approval



认证 Approval	证书编号 File No.	额定电流 Rated Current Range	额定电压 Rated Voltage	标准 Standard
UL+cUL	E478741	5~20A	125/250VAC	UL1077 CSA C22.2 NO.235
TUV	R50366417	5~20A	125/250VAC	EN60934
CCC	2016010307846617	5~20A	125/250VAC	GB17701
CB	CN42252	5~20A	125/250VAC	IEC60934
CE	AN 50369383 0001	5~20A	125/250VAC	IEC60934