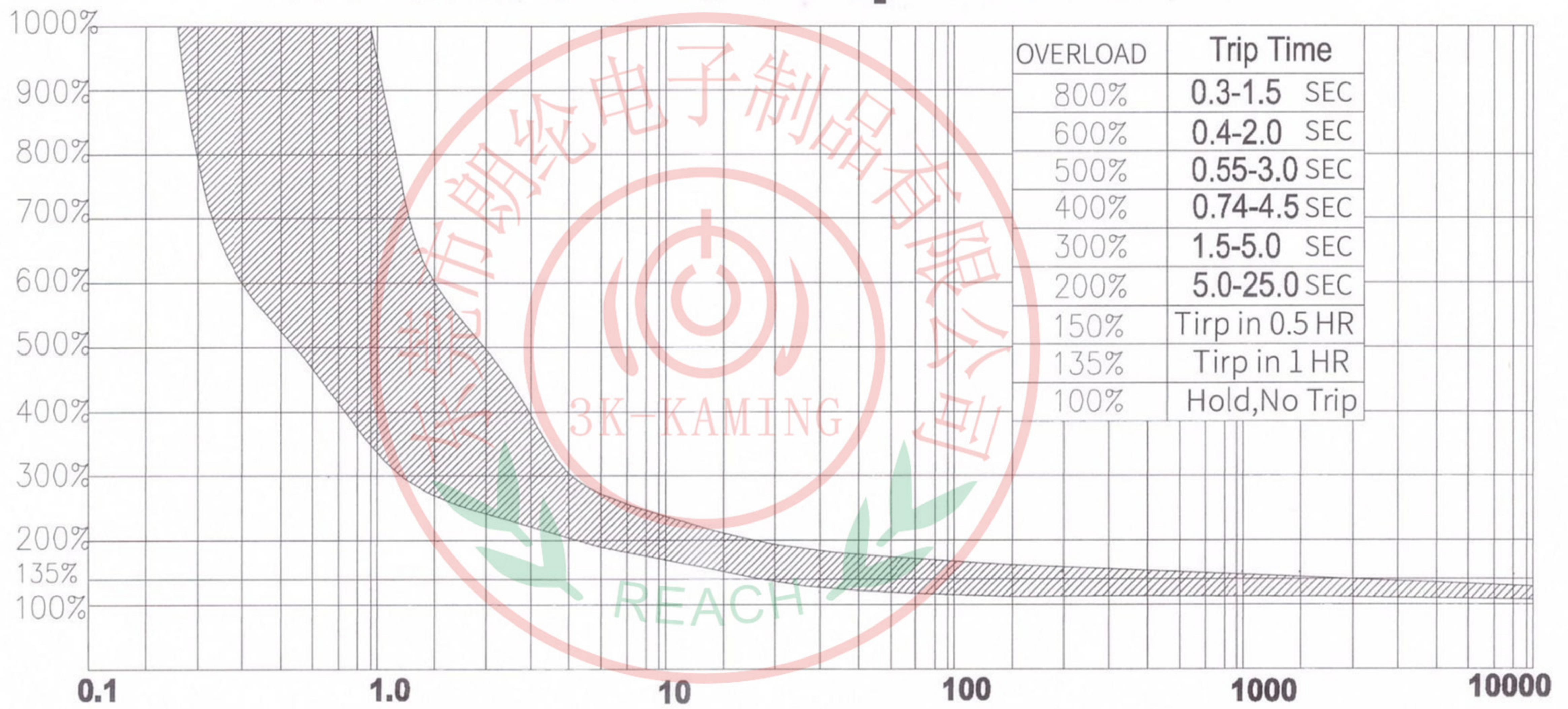


◆ 产品图片 Product picture



◆ 时间-电流特性曲线 @ +25°C Time VS. Current Trip Curve @ +25°C

时间-电流脱扣曲线图 **Trip Time Curves**



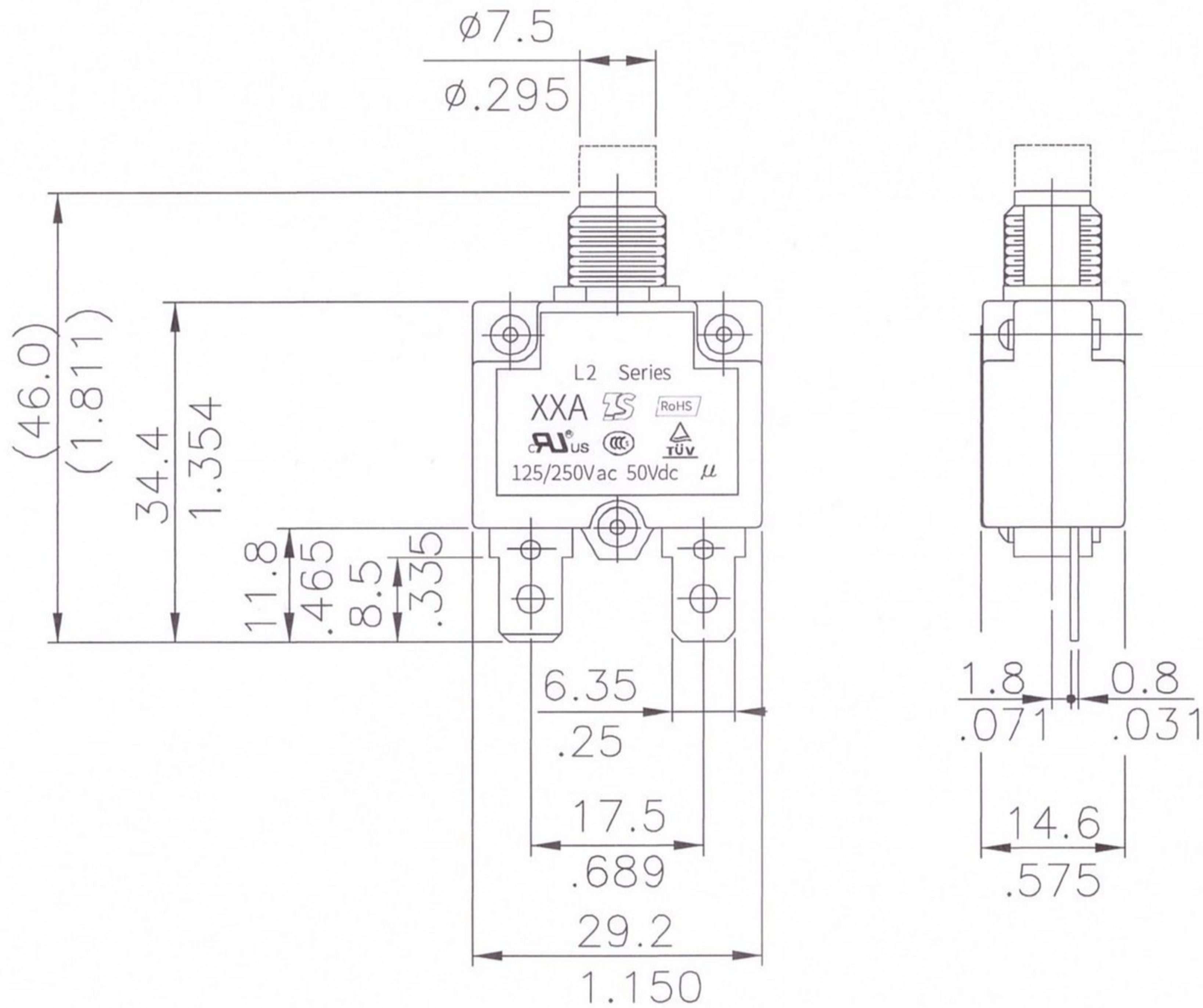
断路器额定过载电流百分比 Percentage of circuit breaker rated overload current

时间单位 **Time In Seconds:** 秒 脱扣曲线环境温度 **Trip Curves Are Specified: 25°C/77°F**

100% 额定电流: 不脱扣
 100% Rated Current: Hold, No-Trip
 135% 额定电流: 1小时内脱扣
 135% Rated Current: Trip in 1 Hour
 150% 额定电流: 半小时内脱扣

150% Rated Current: Trip in 0.5 Hour
 200% 额定电流: 5-25秒内脱扣
 200% Rated Current: Within 5-25 Seconds
 300% 额定电流: 1.5-5.0秒内脱扣
 300% Rated Current: With 1.5-5.0 Seconds

◆ 外形尺寸 Outline Dimensions



NOTE: "XX" = 额定电流 rated current

◆ 环境校正系数表 Ambient Compensation Table

环境温度下校正系数表 Capacity Corrention Factors For Ambient Temperatures										
额定电流 Current Rating Amps	温度 Temperature									
	°F	+14	+32	+50	+68	+77	+86	+104	+122	+140
	°C	-10	+0	+10	+20	+25	+30	+40	+50	+60
3 to 4A		.70	.75	.82	.90	1.00	1.10	1.25	1.61	2.15
5 to 20A		.77	.85	.90	.95	1.00	1.05	1.15	1.25	1.40

以环境温度 +25°C 为基准单位, 根据额定电流的高低按照系数表进行计算。

The unit is calibrated for ambient temperature of +25°C.

To determine the rated current for a lower or higher ambient temperature, use a correction factor as above.

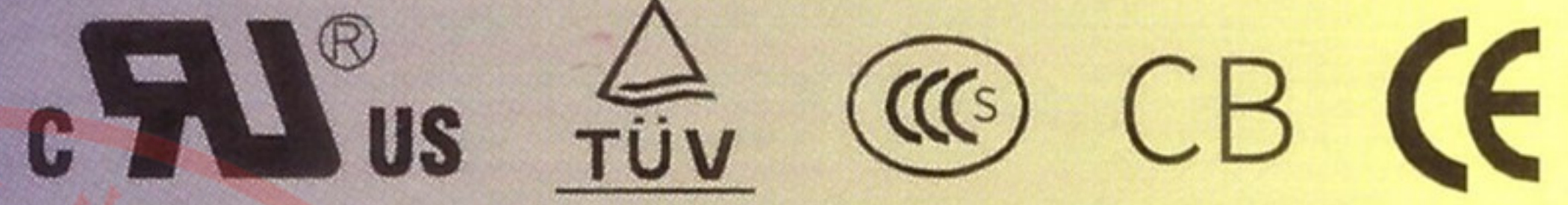
◆ 主要技术参数 Specification

额定电压 Rated Voltage	AC 125/250V DC 50V
额定电流 Rated Current	2-20A
限制短路电流 Interrupt Capacity	125/250VX1000A 50VX200A
绝缘阻抗 Insulation Resistance	>500 M Ω
过载能力 Resettable Overload Capacity	10倍额定电流 Ten Times Rated Current
介电强度 Dielectric Strength	1,500Vac 1 minute
重量 Weight	Approx 15.6g (0.55 OZ.)
压降 Voltage Drop	Less than 0.25V
复位时间 Reset Time	60秒以内 With 60 Seconds
操作方式 Method of Operation	R Type
工作温度 Operating Temperature Range	-10°C ~ 60°C
接线端子 Terminal	快插或焊锡或锁螺丝端子 .250QC or Tab. or Screw
外壳材质 Case Material	电木, 耐灼热丝 960 °C Phonelic, GWIT=960°C
端子的温升 (环境温度为25°C) Temperature Rise at Terminal Block	<65 °C Less than 65°C at 100% of rated current

◆ 额定电流下的电阻 @ +25°C Typical Resistance VS. Current Rating @ +25°C

额定电流 Current Rating in Amps	内电阻 Ω Typical Resistance	额定电流 Current Rating in Amps	内电阻 Ω Typical Resistance
3.0	0.083	10.0	0.025
4.0	0.062	12.0	0.021
5.0	0.050	15.0	0.017
6.0	0.042	16.0	0.016
7.0	0.036	20.0	0.012
8.0	0.031		

◆ 安规认证 Approval



认证 Approval	证书编号 File No.	额定电流 Rated Current Range	额定电压 Rated Voltage	标准 Standard
UL+cUL	E478741	2~20A	125/250VAC 50VDC	UL1077 CSA C22.2 NO.235
TUV	50046704	3~20A	125/250VAC 50VDC	EN60934
CCC	2014010307693248	3~30A	125/250VAC 50VDC	GB17701
CB	CN38786	3~20A	125/250VAC 50VDC	IEC60934