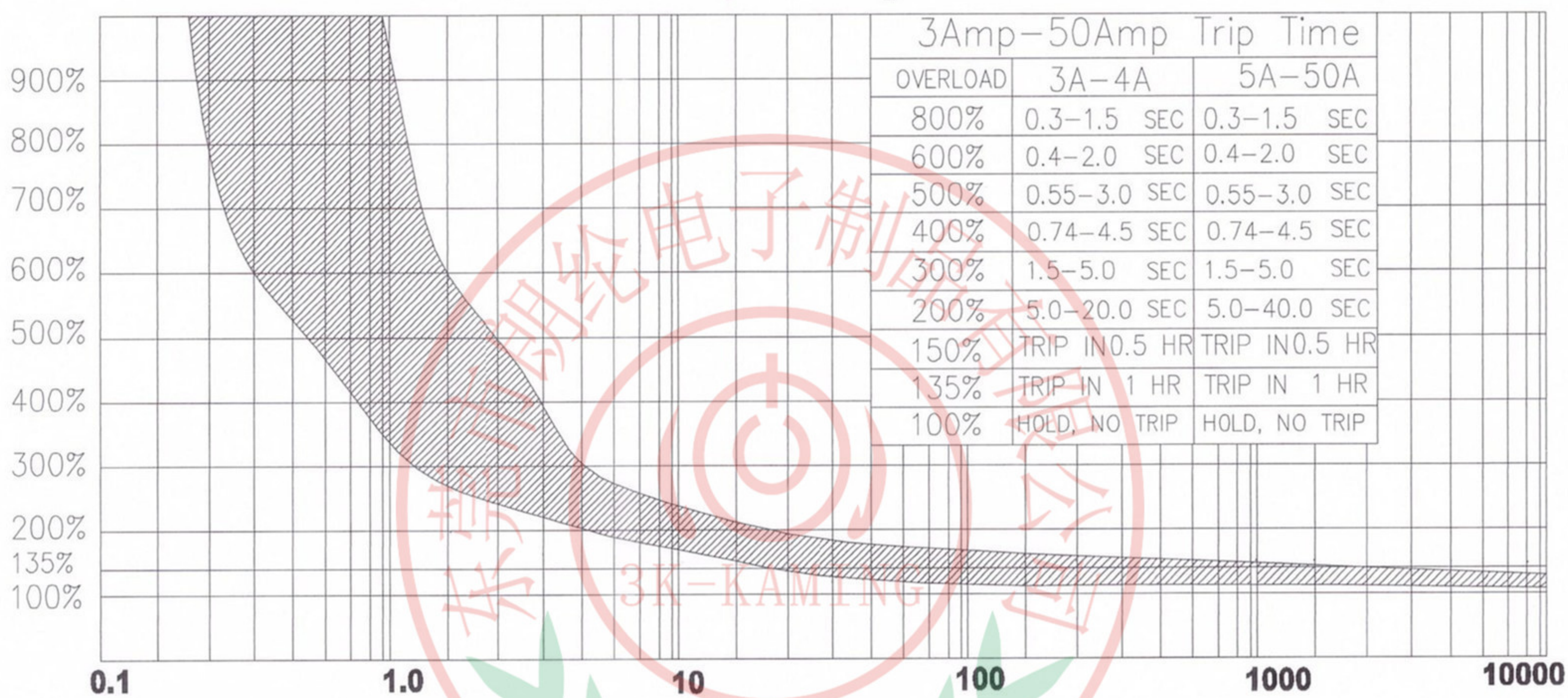


## ◆ 产品图片 Product picture



## ◆ 时间-电流特性曲线 @ +25°C Time VS. Current Trip Curve @ +25°C

时间-电流脱扣曲线图 **Trip Time Curves**

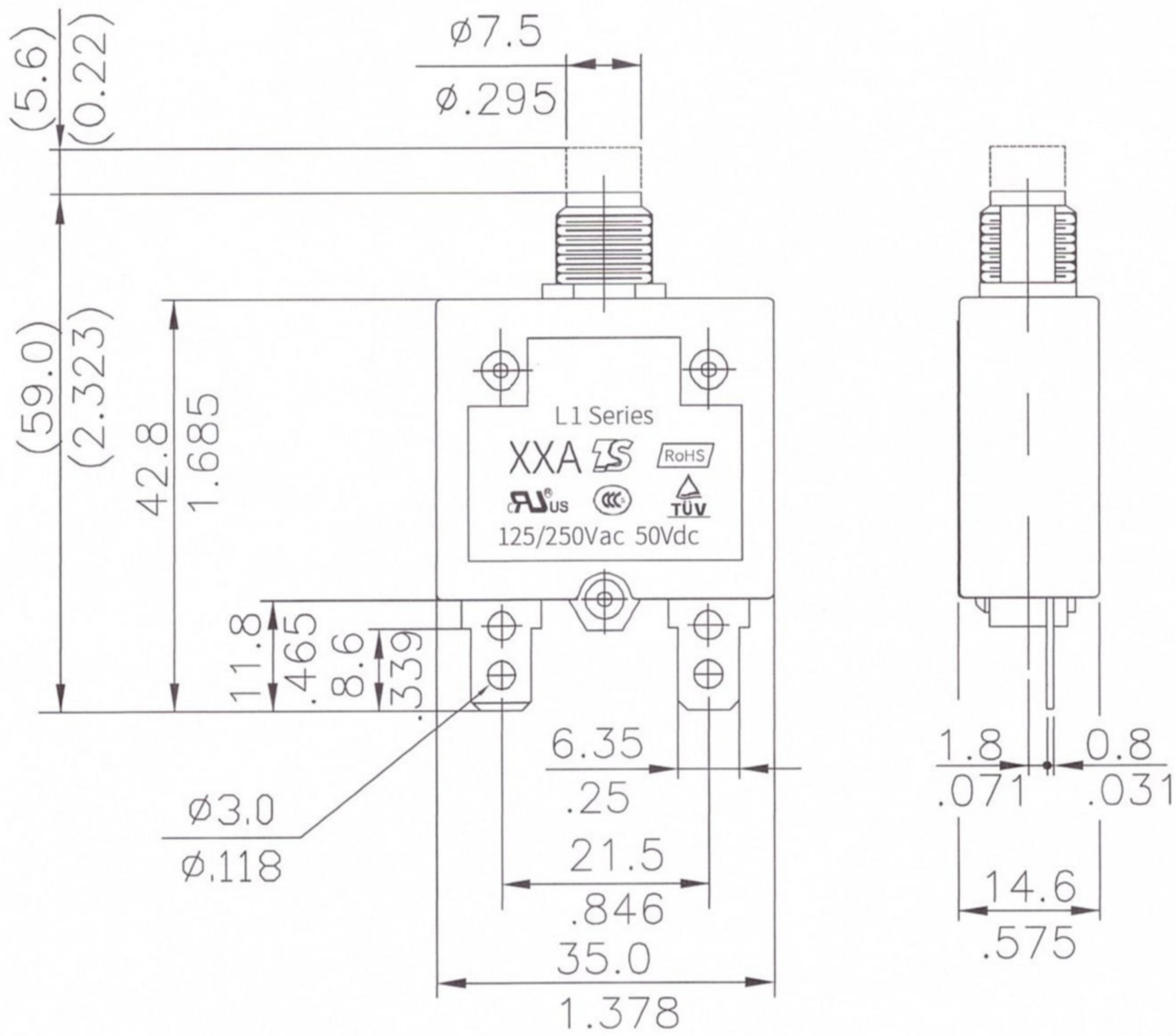


断路器额定过载电流百分比 Percentage of circuit breaker rated overload current  
 时间单位 **Time In Seconds:** 秒 脱扣曲线环境温度 **Trip Curves Are Specified: 25°C/77°F**

100% 额定电流:不脱扣  
 100% Rated Current: Hold, No-Trip  
 135% 额定电流: 1小时内脱扣  
 135% Rated Current: Trip in 1 Hour  
 150% 额定电流: 半小时内脱扣

150% Rated Current: Trip in 0.5 Hour  
 200% 额定电流: 40秒内脱扣  
 200% Rated Current: Within 40 Seconds  
 300% 额定电流: 10秒内脱扣  
 300% Rated Current: With 10 Seconds

## 外形尺寸 Outline Dimensions



NOTE: "XX" = 额定电流 Rated current

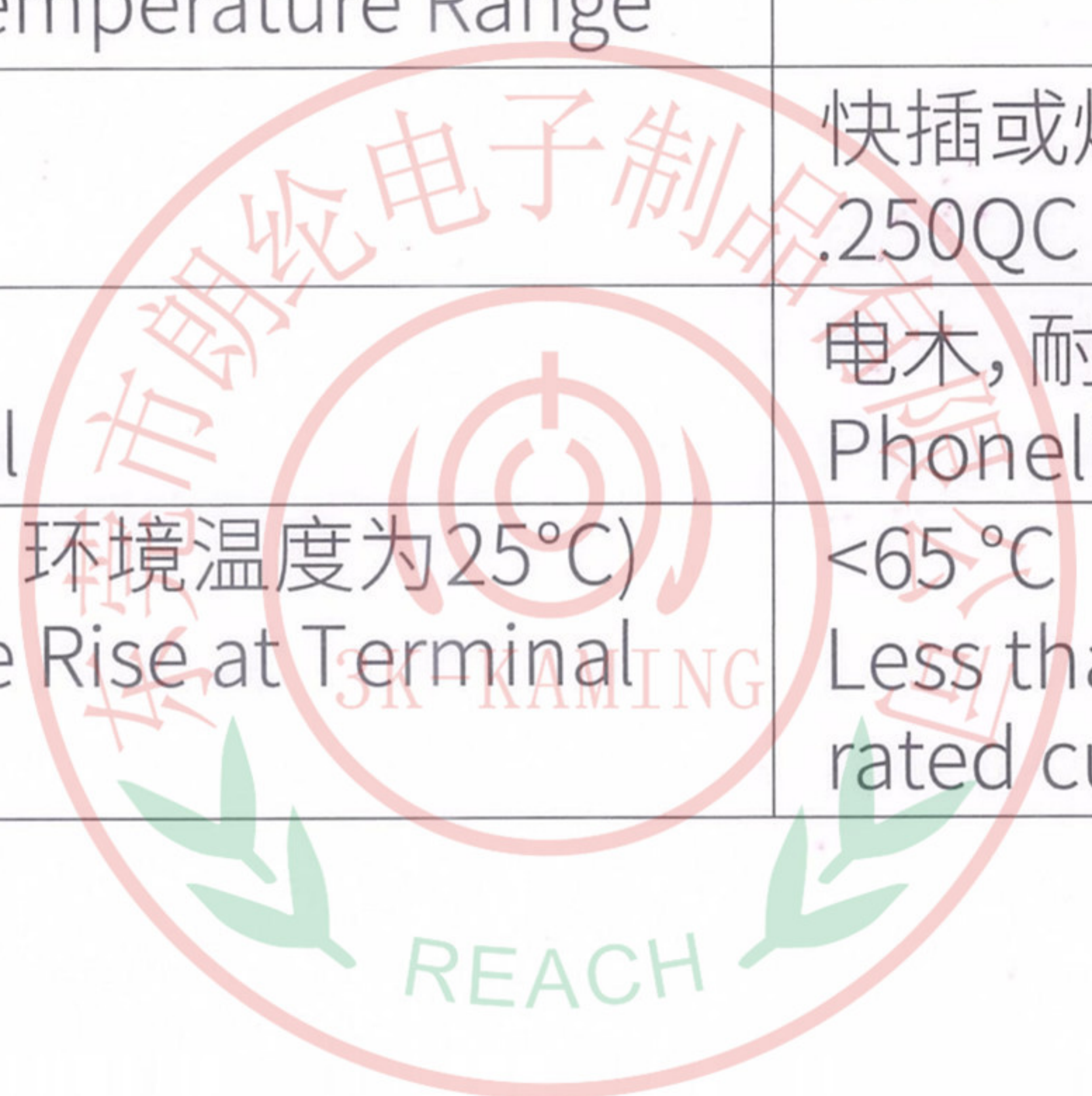
## 环境校正系数表 Ambient Compensation Table

环境温度下校正系数表 Capacity Corrention Factors For Ambient Temperatures										
额定电流 Current Rating Amps	温度 Temperature									
	°F	+14	+32	+50	+68	+77	+86	+104	+122	+140
	°C	-10	+0	+10	+20	+25	+30	+40	+50	+60
3 to 8A		.70	.80	.92	.98	1.00	1.10	1.25	1.61	2.00
9 to 50A		.74	.78	.83	.90	1.00	1.05	1.15	1.31	1.55

以环境温度 +25°C 为基准单位, 根据额定电流的高低按照系数表进行计算。  
The unit is calibrated for ambient temperature of +25°C.  
To determine the rated current for a lower or higher ambient temperature, use a correction factor as above.

## ◆ 主要技术参数 Specification

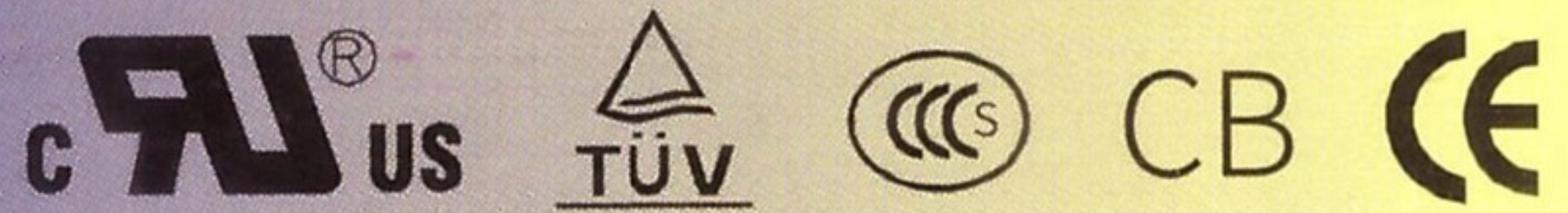
额定电压 Rated Voltage	AC 125/250V DC 50V
额定电流 Rated Current	3~50A
限制短路电流 Interrupt Capacity	125/250VX1000A 50VX200A
绝缘阻抗 Insulation Resistance	>500 M $\Omega$
过载能力 Resettable Overload Capacity	10倍额定电流 Ten Times Rated Current
介电强度 Dielectric Strength	1,500Vac 1 minute
重量 Weight	Approx 25g (0.90 OZ.)
压降 Voltage Drop	Less than 0.25V
复位时间 Reset Time	60秒以内 With 60 Seconds
操作方式 Method of Operation	R Type
工作温度 Operating Temperature Range	-10°C ~ 60°C
接线端子 Terminal	快插或焊锡或锁螺丝端子 .250QC or Tab. or Screw
外壳材质 Case Material	电木,耐灼热丝 960 °C Phonelic,GWIT=960°C
端子的温升 ( 环境温度为25°C) Temperature Rise at Terminal Block	<65 °C Less than 65°C at 100% of rated current



## ◆ 额定电流下的电阻 @ +25°C Typical Resistance VS. Current Rating @ +25°C

额定电流 Current Rating in Amps	内电阻 Ω Typical Resistance	额定电流 Current Rating in Amps	内电阻 Ω Typical Resistance
5.0	0.052	15.0	0.017
6.0	0.042	20.0	0.012
7.0	0.036	25.0	0.010
8.0	0.031	30.0	0.008
10.0	0.025	35.0	0.007
12.0	0.021	40.0	0.006

## ◆ 安规认证 Approval



认证 Approval	证书编号 File No.	额定电流 Rated Current Range	额定电压 Rated Voltage	标准 Standard
UL+cUL	E478741	3~50A	125/250VAC 50VDC	UL1077 CSA C22.2 NO.235
TUV	50046704	3~40A	125/250VAC 50VDC	EN60934
CCC	2014010307693248	3~50A	125/250VAC 50VDC	GB17701
CB	CN38786	3~50A	125/250VAC 50VDC	IEC60934

