

Rating:
 CQC 6(4)A 250V AC T85
 6A/125A 250VAC
 cULus 10A 125V AC/6A 250V AC
 VDE 6(4)A 250V AC T85
 KC 6(4)A 250V AC T85

Circuit Diagram: 2P ON-OFF

Terminal Strength: ≥80N

Electrical life: ≥10000 cycles

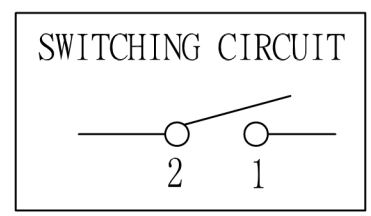
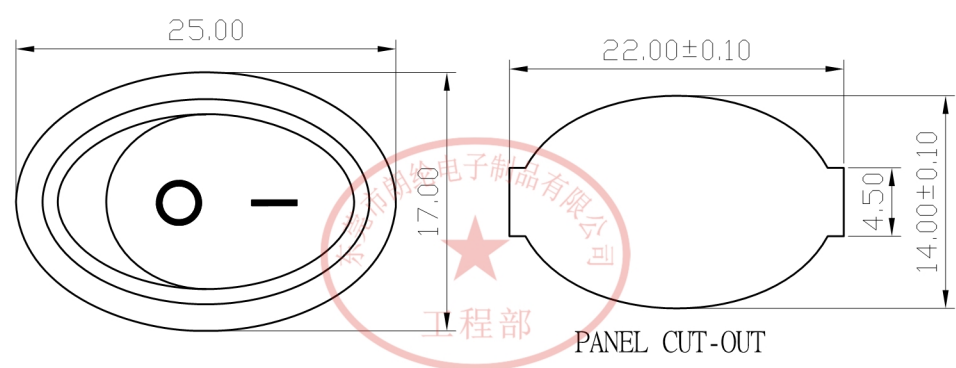
Withstand Voltage: Withstand Voltage:1800VAC 1min

Terminals to Button:3000VAC 1min



Leakage Current: 1mA

Current resistance: ≤50mΩ(initial)

Insulation resistance: ≥100MΩ



PANEL CUT-OUT		
Z	Y	X
0.70~1.25	13.50~13.70	21.90~22.10
1.25~2.00	13.50~13.70	21.90~22.10
2.00~3.00	13.50~13.70	21.90~22.10

A4				普通公差:	 东莞市朗纶电子制品有限公司 Dongguan langlun electronic products Co., Ltd								
A3				COMMON TOLERANCE:		单位	mm	投影		品名	跷板开关	比例	1:2
A2				UP TO 5		±0.20	UNIT		核 对	吴路方	型号	3K601E-1010012BB	
A1				ABOVE 5 TO 30		±0.30	绘图	朱文林	核 对	吴路方	MODEL NO.		
				ABOVE 30	±0.50	日期	2012.11.14	核 准	周培雷	图号	3K601E-1010012BB		
REV.	DATE	REVISION DESCRIPTION	ISSUE	ANGULAR	±5°	日期		核 准		DWG NO.			