

Rating:

CQC 6A 250V AC T85  
 UL cUL 10A 125V AC / 6A 250V AC  
 VDE 6(4)A 250V AC T85/55  
 KC 6(4)A 250V AC

Circuit Diagram: 4P ON-OFF

Terminal Strength:  $\geq 80N$

Electrical life:  $\geq 10000$  cycles

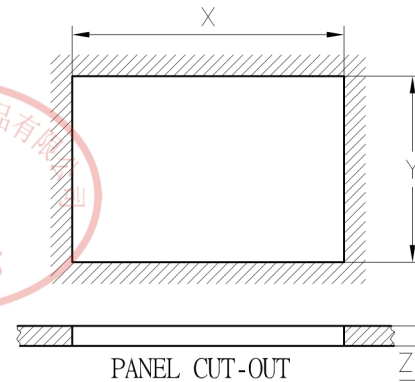
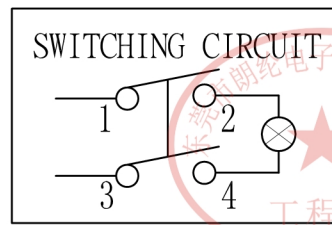
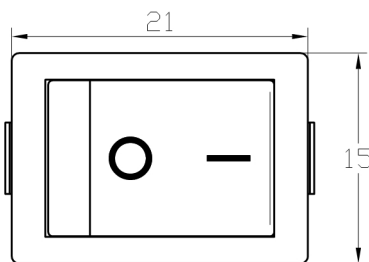
Withstand Voltage: Withstand Voltage: 1800VAC 1min

Terminals to Button: 3000VAC 1min

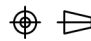
Leakage Current: 1mA

Current resistance:  $\leq 50m\Omega$  (initial)

Insulation resistance:  $\geq 100M\Omega$



PANEL CUT-OUT		
Z	Y	X
0.70~1.25	12.90~13.10	18.9~19.1
1.25~2.00	12.90~13.10	19.1~19.2
2.00~3.00	12.90~13.10	19.3~19.4

A4				普通公差:	 <b>东莞市朗纶电子制品有限公司</b> <b>Dongguan langlun electronic products Co., Ltd</b>								
A3				COMMON TOLERANCE:		单位	mm	投影		品名	跷板开关	比例	2:1
A2				UP TO 5		$\pm 0.20$	UNIT	PROJECTED	核对	吴路方	型号	3K601D1-201N011RB	
A1				ABOVE 5 TO 30		$\pm 0.30$	绘图	朱文林	核	周培雷	图号	3K601D1-201N011RB	
REV.	DATE	REVISION DESCRIPTION	ISSUE	ANGULAR	$\pm 5^\circ$	日期	2012.11.14	核准	周培雷	DWG NO.	3K601D1-201N011RB		