

Rating:

CQC 6(4)A 250V AC T85  
6A/125A 250VAC  
UL cUL 10A 125V AC/6A 250V AC  
VDE 6(4)A 250V AC T85  
KC 6(4)A 250V AC T85

Circuit Diagram: 3P ON-ON

Terminal Strength: ≥80N

Electrical life: ≥10000 cycles

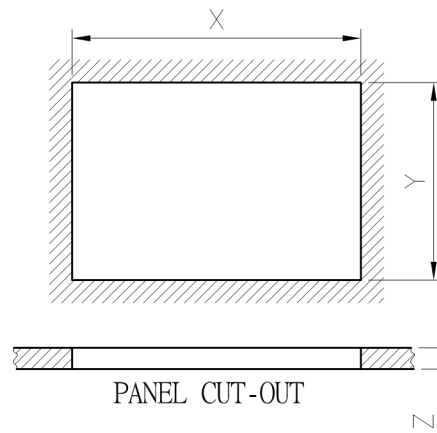
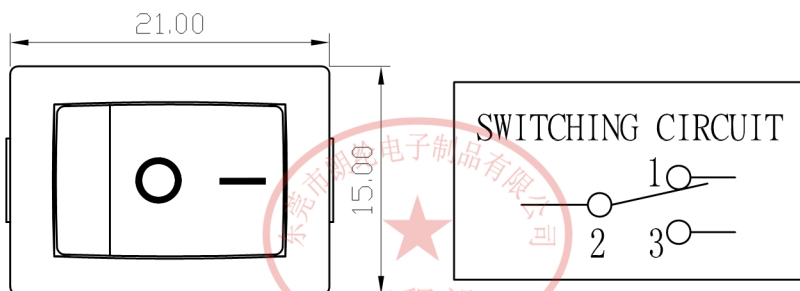
Withstand Voltage: Withstand Voltage:1500VAC 1min

Terminals to Button:3000VAC 1min

Leakage Current: 1mA

Current resistance: ≤50mΩ(initial)

Insulation resistance: ≥100MΩ



PANEL CUT-OUT		
Z	Y	X
0.70~1.25	12.90~13.10	18.9~19.1
1.25~2.00	12.90~13.10	19.1~19.2
2.00~3.00	12.90~13.10	19.3~19.4

A4				普通公差:	 3K-KAMING	<b>东莞市朗纶电子制品有限公司</b> <b>Dongguan langlun electronic products Co., Ltd</b>							
A3				COMMON TOLERANCE:		单位	mm	投影		品名	跷板开关	比例	2:1
A2				UP TO 5		±0.20	UNIT	PROJECTED	核对	吴路方	型号	3K601A-1020012BB	
A1				ABOVE 5 TO 30		±0.30	绘图	CHECKED BY	核准	周培雷	图号	3K601A-1020012BB	
REV.	DATE	REVISION DESCRIPTION	ISSUE	ANGULAR	±5°	日期	2012.11.14	核准	周培雷	图号	3K601A-1020012BB		
						DATE		APPROVAL BY		DWG NO.			