

Rating:

CQC 6(4)A 250V AC T85
 6A/125A 250VAC
 cULus 10A 125V AC/6A 250V AC
 VDE 6(4)A 250V AC T85
 KC 6(4)A 250V AC T85

Circuit Diagram: 2P ON-OFF

Terminal Strength: $\geq 80N$

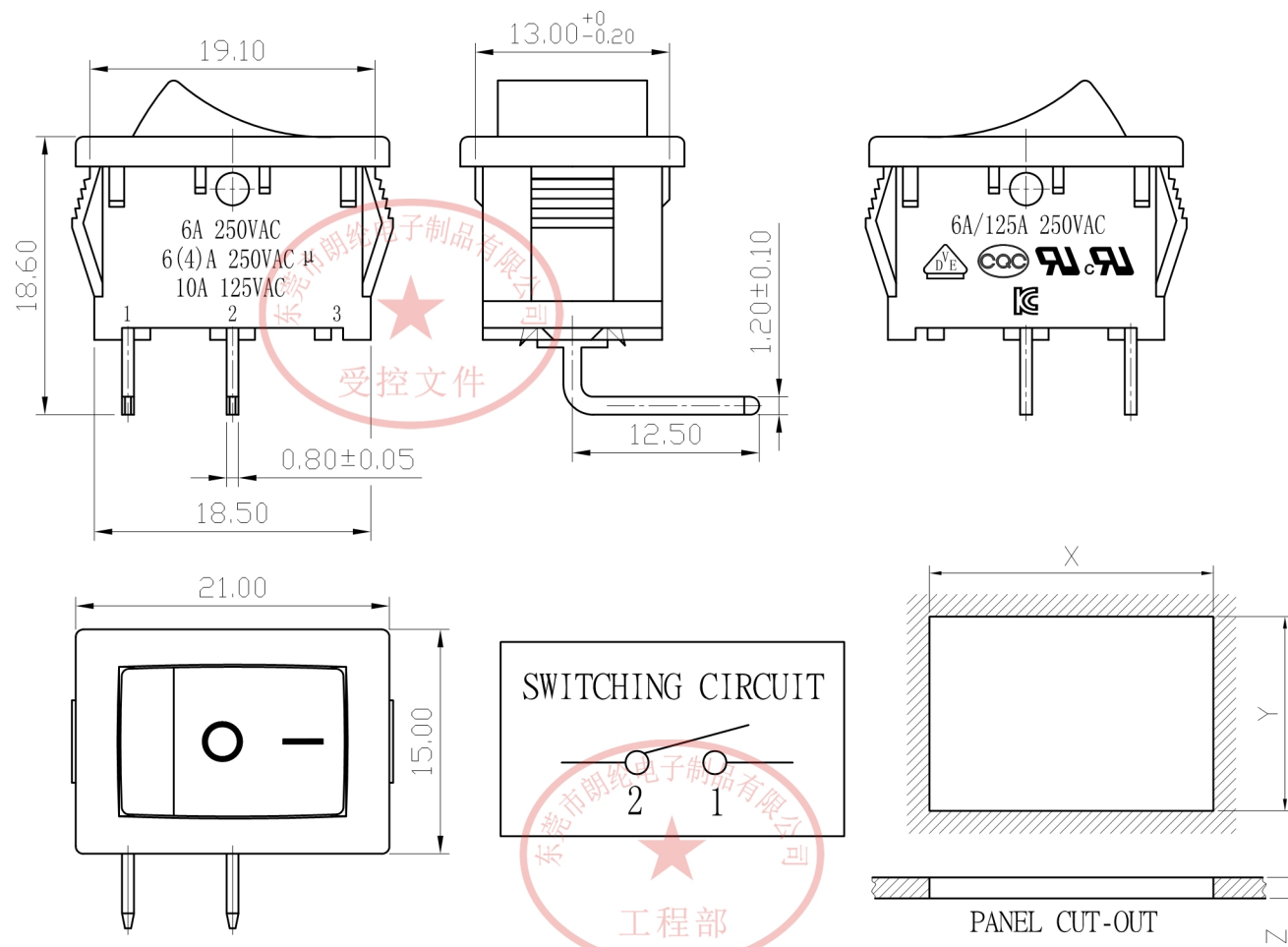
Electrical life: ≥ 10000 cycles

Withstand Voltage: Withstand Voltage:1800VAC 1min
 Terminals to Button:3000VAC 1min

Leakage Current: 1mA

Current resistance: $\leq 50m\Omega$ (initial)

Insulation resistance: $\geq 100M\Omega$



PANEL CUT-OUT		
Z	Y	X
0.70~1.25	12.90~13.10	18.9~19.1
1.25~2.00	12.90~13.10	19.1~19.2
2.00~3.00	12.90~13.10	19.3~19.4

A4				普通公差:		东莞市朗纶电子制品有限公司 Dongguan langlun electronic products Co., Ltd						
A3			COMMON TOLERANCE:	单位		mm	投影		品名	跷板开关	比例	2:1
A2			UP TO 5	±0.20		UNIT	PROJECTED		PRODUCT NAME		SCALE	
A1			ABOVE 5 TO 30	±0.30		绘图	核对	吴路方	型号	3K601A-1010013BB		
REV.	DATE	REVISION DESCRIPTION	ISSUE	ANGULAR	±5°	日期	2012.11.14	核准	周培雷	图号	3K601A-1010013BB	