

Rating:
 CQC 6A 250V AC T85
 6A/125A 250VAC
 UL cUL 10A 125V AC/6A 250V AC
 VDE 6(4)A 250V AC T85/55
 KC 6(4)A 250V AC

Circuit Diagram: 3P ON-ON

Terminal Strength: ≥80N

Electrical life: ≥10000 cycles

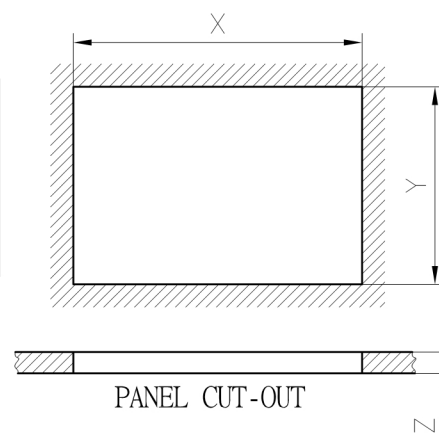
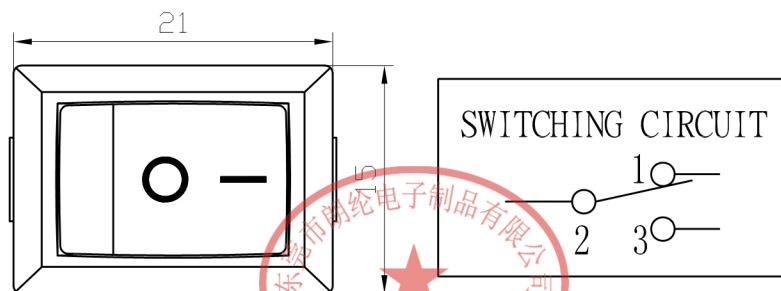
Withstand Voltage: Withstand Voltage:1800VAC 1min

Terminals to Button:3000VAC 1min

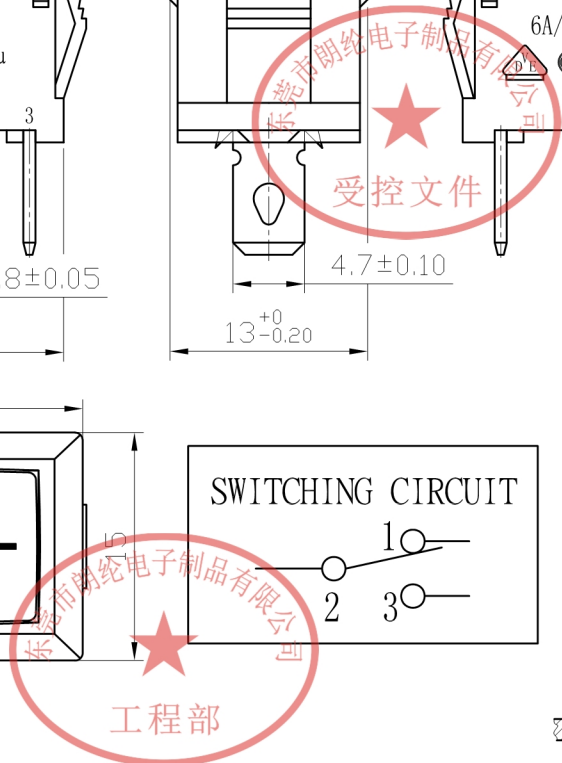
Leakage Current: 1mA


Current resistance: ≤50mΩ(initial)

Insulation resistance: ≥100MΩ



PANEL CUT-OUT		
Z	Y	X
0.70~1.25	12.90~13.10	18.9~19.1
1.25~2.00	12.90~13.10	19.1~19.2
2.00~3.00	12.90~13.10	19.3~19.4



A4				普通公差:	 东莞市朗纶电子制品有限公司 Dongguan langlun electronic products Co., Ltd							
A3			COMMON TOLERANCE:	单位		mm	投影		品名	跷板开关	比例	1:2
A2			UP TO 5	±0.20		UNIT		核 对	吴路方	型号	3K601-1020011BB	
A1			ABOVE 5 TO 30	±0.30		绘图	朱文林	核 对	吴路方	型号	3K601-1020011BB	
REV.	DATE	REVISION DESCRIPTION	ISSUE	ANGULAR	±5°	日期	2012.11.14	核 准	周培雷	图号	3K601-1020011BB	