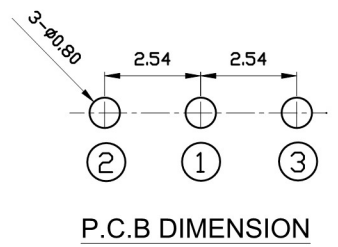
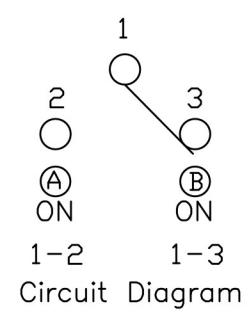
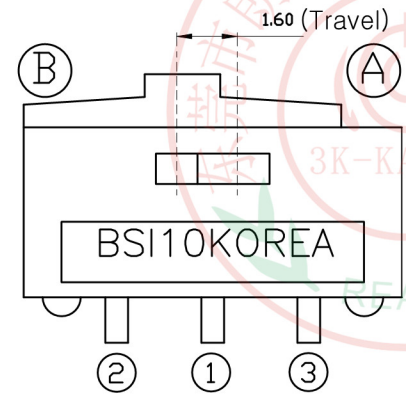
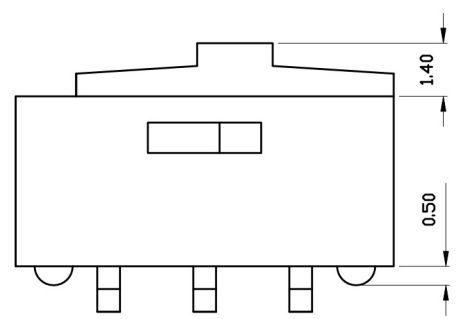
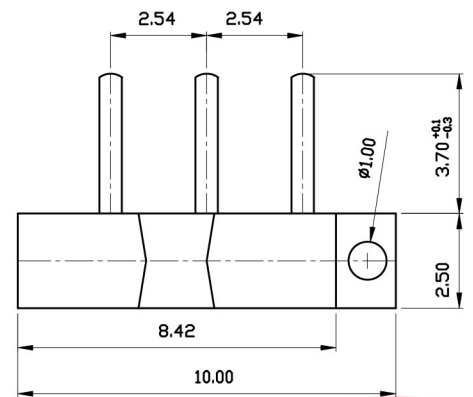
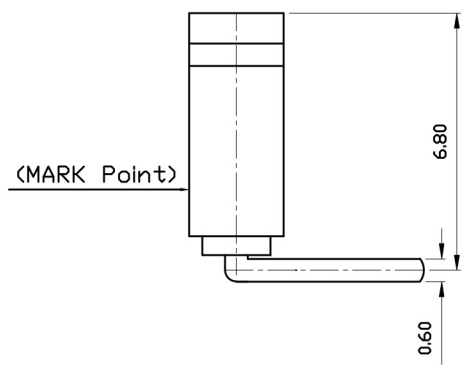



MARK	DATE	REMARKS
△		
△		



SPECIFICATION

1. Rating : 0.5A, DC 12V~0.3A, DC24V
2. Contact Resistance : 30mΩ Max
3. Travel : 1.6mm
4. Operating Force : 800gf Max
5. Life cycle : 2,000 Cycle(with load)



NO.	DWG No.	QTY	MAT'L	SPEC'	FINISH	REMARKS
3ANG	UNIT M/M	SCL	MODEL NAME.	MINI SLIDE SWITCH		
APPD.	CHKD.	D'SGD	TITLE	BSI-10H		
K.I LEE	S.M PARK	W.J LEE	 东莞市朗纶电子制品有限公司 Dongguan langlun electronic products Co., Ltd			