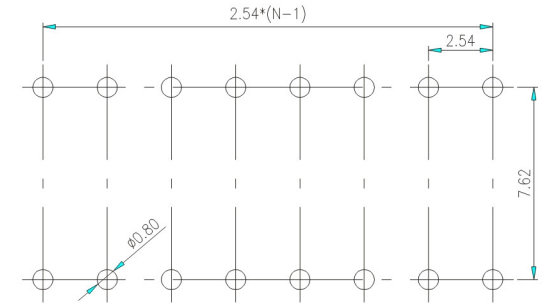
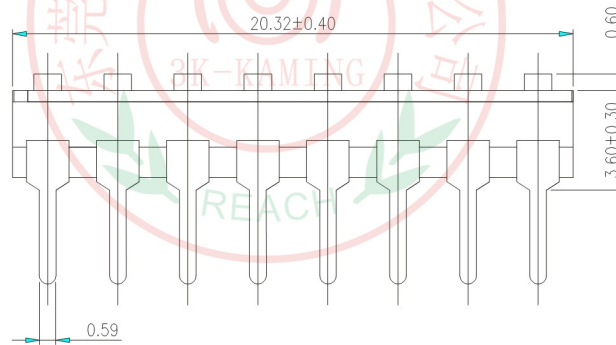
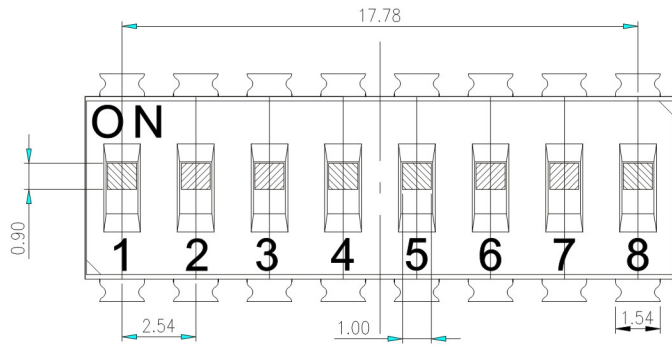
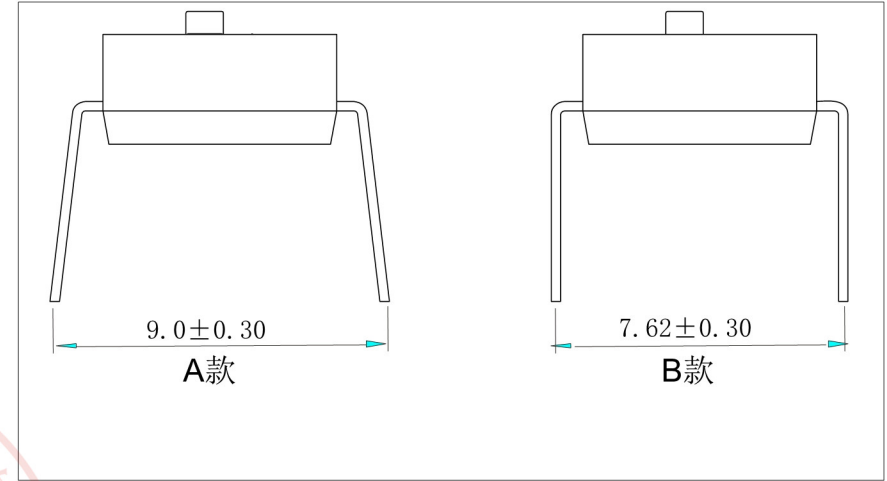
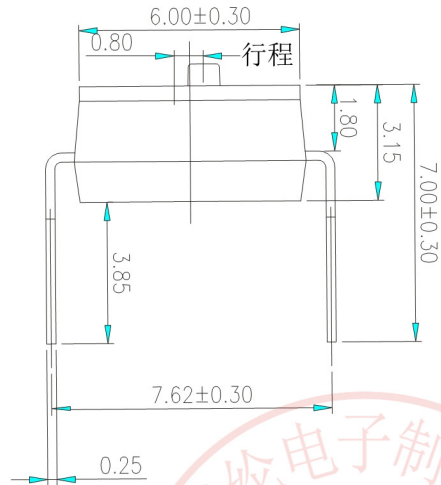
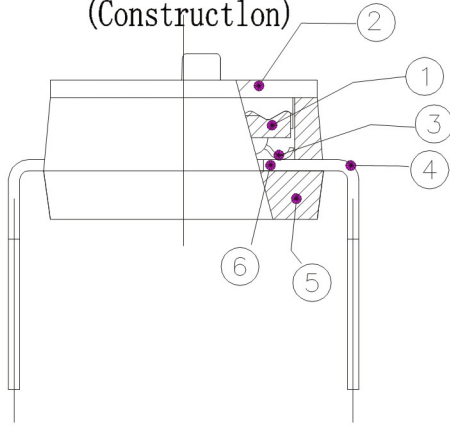




RoHS
Compliant
2002/95/EC

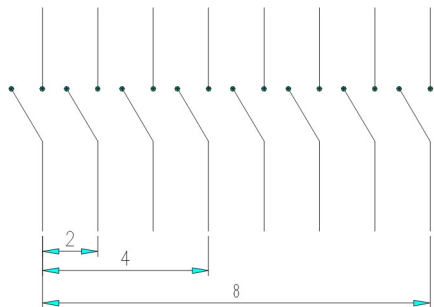
REV.	ECN.	NO.	APPD.

(Construction)



RECOMMENDED P. C. B. LAYOUT (TOP VIEW)

[Schematic]



Number	Part Name	Material	Finished	尺寸範圍	容許值
①	Actuator	UL94 V0	White	0-4	±0.05
②	Cover	UL94 V0	Black	4-16	±0.1
③	Movable	Copper Alloy	3u"Gold	16-50	±0.15
④	Terminal	Brass	1u"Gold	THESE DRAWINGS AND SPECIFICATIONS ARE THE PROPERTY OF ACCURATE 3K-KAMING (LANG LUN) INC. AND SHALL NOT BE REPRODUCED, COPIED OR USED IN ANY MANNER WITHOUT THE PRIOR WRITTEN CONSENT OF ACCURATE 3K-KAMING (LANG LUN) INC.	
⑤	Base	UL94 V0	Black		
⑥	Terminal Contact	Brass	3u"Gold		

UNITS	mm(IN)
MAT'L	SEE NOTE
FINISH	SEE NOTE
Q'TY	



东莞市朗纶电子制品有限公司
Dongguan langlun electronic products Co., Ltd

TITLE: MACHINE INSERT TABLE TYPE DIP SWITCH
DR: Ricky 2014/04/08
CHKD: Ricky 2014/04/08
APPD:

PART NO.:		3K-RIR-08□	
DWG NO.:		3K-RIR-08□	
SCALE	SHEET	REV.	CUSTOMER
1:1	1/1	A	DRAWING