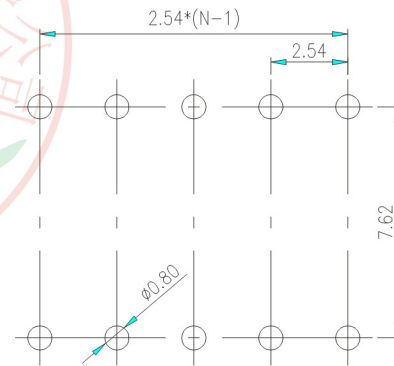
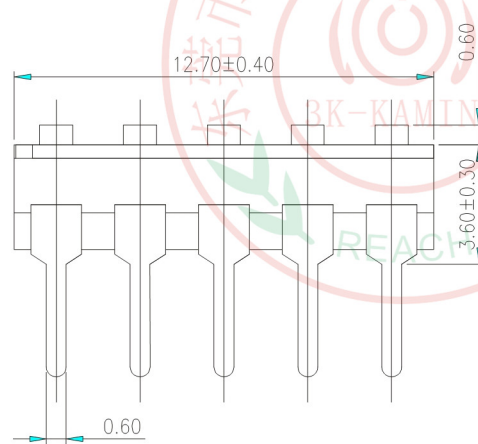
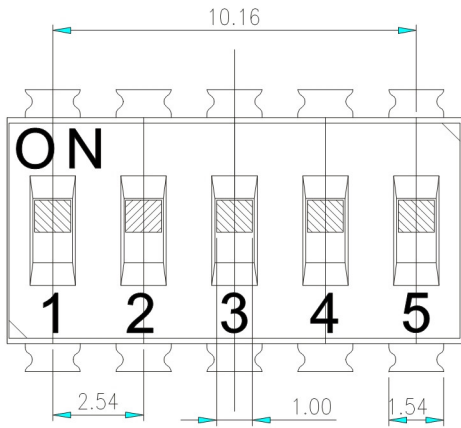
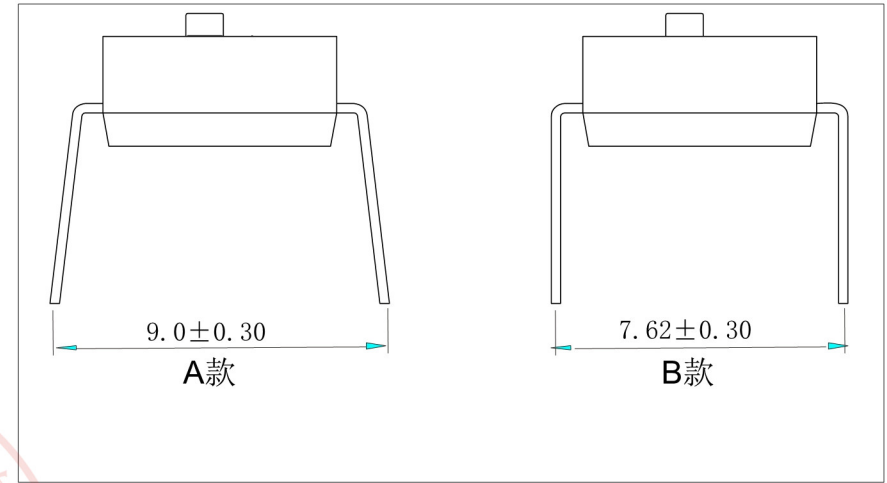
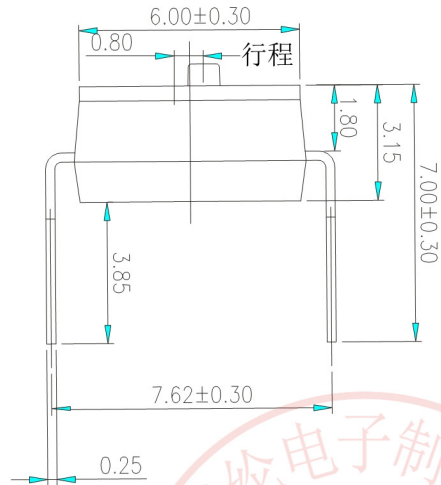
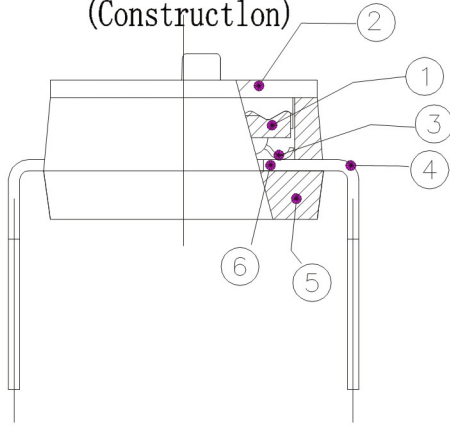




RoHS
Compliant
2002/95/EC

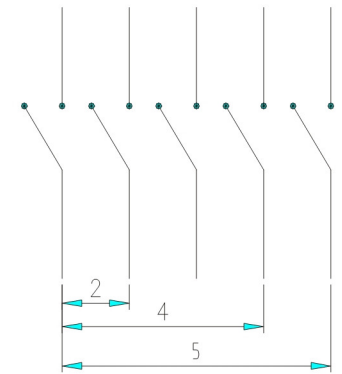
REV.	ECN.	NO.	APPD.

(Construction)



RECOMMENDED P.C.B. LAYOUT (TOP VIEW)

[Schematic]



Number	Part Name	Material	Finished	尺寸範圍	容許值
①	Actuator	UL94 V0	White	0-4	±0.05
②	Cover	UL94 V0	Black	4-16	±0.1
③	Movable	Copper Alloy	3u"Gold	16-50	±0.15
④	Terminal	Brass	1u"Gold	THESE DRAWINGS AND SPECIFICATIONS ARE THE PROPERTY OF ACCURATE 3K-KAMING (LANG LUN) INC. AND SHALL NOT BE REPRODUCED, COPIED OR USED IN ANY MANNER WITHOUT THE PRIOR WRITTEN CONSENT OF ACCURATE 3K-KAMING (LANG LUN) INC.	
⑤	Base	UL94 V0	Black		
⑥	Terminal Contact	Brass	3u"Gold		

 3K-KAMING	东莞市朗纶电子制品有限公司 Dongguan langlun electronic products Co., Ltd			
	TITLE: MACHINE INSER TABLE TYPE DIP SWITCH		PART NO.: 3K-RIR-05□	
	DR: Ricky 2014/04/08		DWG NO.: 3K-RIR-05□	
	CHKD: Ricky 2014/04/08		APPD:	
SCALE: 1:1		SHEET: 1/1		
REV: A		CUSTOMER DRAWING		