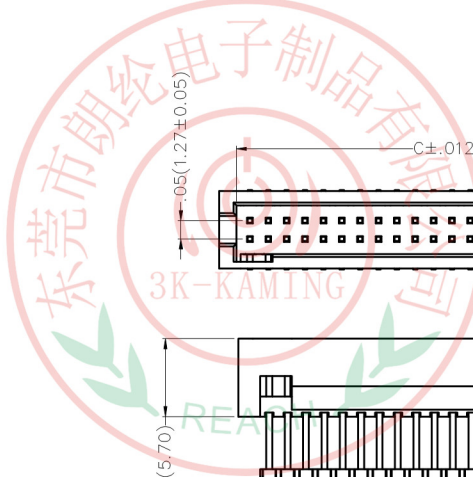


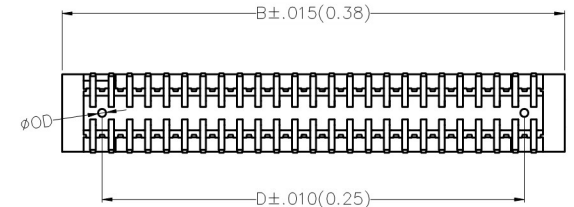
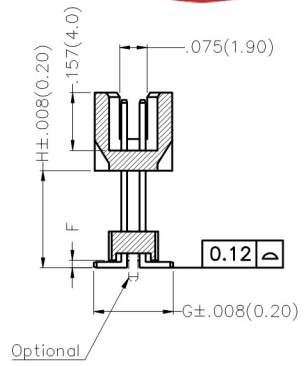
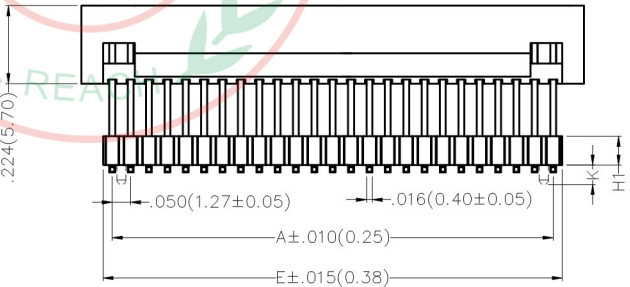
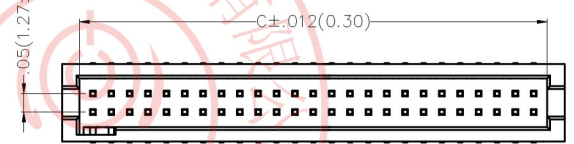
REV	LOCATIONS	DESCRIPTION	DATE	REVISER	APPD



SPECIFICATIONS

Electrical
 Current Rating: 3.0A AC(rms)/DC
 Voltage Rating: 250V AC(rms)/DC
 Contact Resistance: 20 mΩ Max
 Insulation Resistance: 1000 MΩ MIN
 Withstanding Voltage: 500V AC r.m.s
 Temperature Range—Operating: -40°C~+85°C

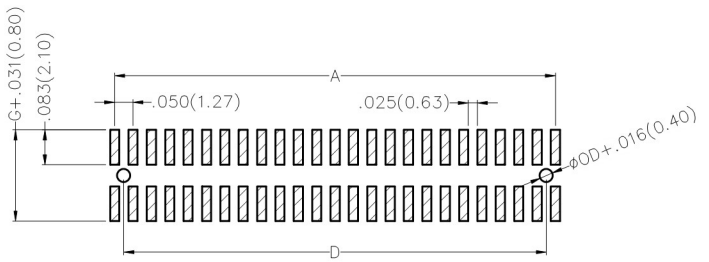
Material and Plating
 Housing: Polyester (UL94V-0)
 Contact Pin: Brass
 Plating: Gold Plated/Tin Plated



Ordering Information

FBH 127 18 — D XX S X XX X K6 X XX (A)
 1 2 3 4 5 6 7 8 9 10 11 12 13

1 Category FBH—Box Header	2 Series Number 127—Pitch1.27mm	3 Distinction No. 18	4 Row Option D—Double Row	5 Circuits XX	6 Entry Angle S—180° Vertical	7 Plating 1—Gold Plated 2—Tin Plated
8 Thickness of Plating 00—Gold Flash 05—5μ" Custom plate available	9 Material—Resin 4—PA6T 3—LCP	10 Color—Resin K6—Black	11 Packaging K—Tray L—Tube	12 Size 01,02... —Series number (See Table1) Custom length available	13 Type A—With position	



Recommended P.C.Board Layout

 THIRD ANGLE PROJECTION	GENERAL TOLERANCES (UNLESS SPECIFIED)		APPROVE BY FRANK	DATE 12/AUG/16	PART NO. FBH12718-DXXSXXXK6XXX(A)	ITEM NO. FBH12718	 3K-KAMING
	X.±.012(0.30)	X.±5'	CHECKED BY KATE	DATE 12/AUG/16	TITLE Wire to Board(Box Header) Pitch 1.27mm 180° Vertical(SMT)		
DESIGN UNITS Inch (metric)	X.X±.008(0.20)	.X'±2'	DRAWN BY VERNON	DATE 12/AUG/16	THIS DRAWING CONTAINS INFORMATION THAT IS PROPRIETARY TO DONG GUAN LANG LUN(3K-KAMING) ELECTRONIC PRODUCTS CO., LTD. AND SHOULD NOT BE USED WITHOUT WRITTEN PERMISSION		
SCALE 5:1	SIZE A4	X.XX±.006(0.15)					