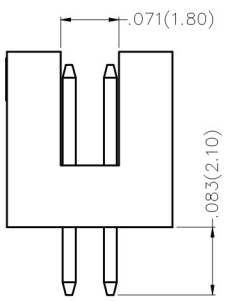
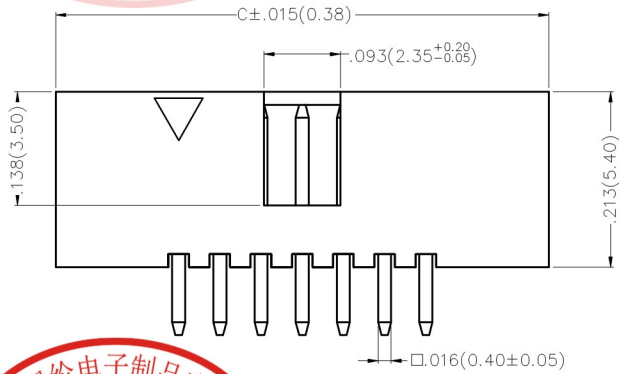
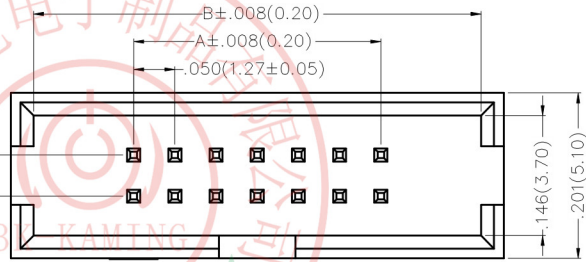


REV	LOCATIONS	DESCRIPTION	DATE	REVISER	APPD



Electrical
 Current Rating: 1.0A AC(rms)/DC
 Voltage Rating: 250V AC(rms)/DC
 Contact Resistance: 20 mΩ Max
 Insulation Resistance: 1000 MΩ MIN
 Withstanding Voltage: 500V AC r.m.s
 Temperature Range—Operating: -40°C~+105°C

Material and Plating
 Insulator Material: PA6T (UL 94V-0)
 Contact Material: Brass /Gold Plated



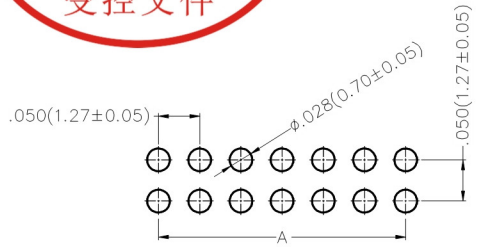
Circuits (n)	Part No.	Dimensions(in/mm)		
		A	B	C
10	FBH12716-D10S1XX4K6L	.200(5.08)	.443(11.25)	.498(12.65)
14	FBH12716-D14S1XX4K6L	.300(7.62)	.543(13.79)	.598(15.19)
16	FBH12716-D16S1XX4K6L	.350(8.89)	.593(15.06)	.648(16.46)
20	FBH12716-D20S1XX4K6L	.450(11.43)	.693(17.60)	.748(19.00)
26	FBH12716-D26S1XX4K6L	.600(15.24)	.843(21.41)	.898(22.81)
30	FBH12716-D30S1XX4K6L	.700(17.78)	.943(23.95)	.998(25.35)
34	FBH12716-D34S1XX4K6L	.800(20.32)	1.043(26.49)	1.098(27.89)
40	FBH12716-D40S1XX4K6L	.950(24.13)	1.193(30.30)	1.248(31.70)
50	FBH12716-D50S1XX4K6L	1.200(30.48)	1.443(36.65)	1.498(38.05)
60	FBH12716-D60S1XX4K6L	1.450(36.83)	1.693(43.00)	1.748(44.40)



Ordering Information

FBH 127 16 — D XX S 1 XX 4 K6 L
 1 2 3 4 5 6 7 8 9 10 11

1 Category FBH—Box Header	2 Series Number 127—Pitch1.27mm	3 Distinction No. 16	4 Row Option D—Double Row	5 Circuits XX	
6 Entry Angle S—180° Vertical	7 Plating 1—Gold Plated	8 Thickness of Plating 00—Gold Flash 03—3μ" Custom plate available	9 Material—Resin 4—PA6T	10 Color—Resin K6—Black	11 Packaging L—Tube



Recommended P.C.Board Layout

THIRD ANGLE PROJECTION	GENERAL TOLERANCES (UNLESS SPECIFIED)		APPROVE BY FRANK	DATE 20/APR/17	PART NO. FBH12716-DXXS1XX4K6L	ITEM NO. FBH12716	
	DESIGN UNITS Inch (metric)	X.X±.012(0.30) X.X±.008(0.20) X.XX±.006(0.15) X.XXX±.004(0.10)	X'±5' .X'±2' .XX'±1' .XXX'±0.5'	CHECKED BY CHERRY	DATE 20/APR/17	TITLE Wire to Board(Box Header) Pitch 1.27mm 180° Vertical (DIP)	
SCALE 5:1	SIZE A4		DRAWN BY LXF	DATE 20/APR/17	THIS DRAWING CONTAINS INFORMATION THAT IS PROPRIETARY TO DONG GUAN LANG LUN(3K-KAMING) ELECTRONIC PRODUCTS CO.,LTD. AND SHOULD NOT BE USED WITHOUT WRITTEN PERMISSION		