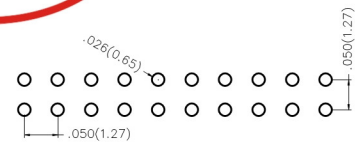
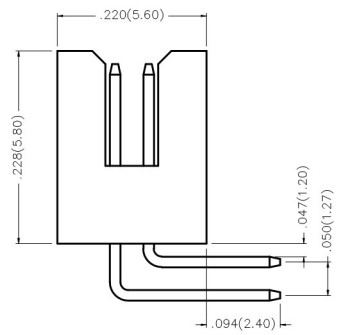
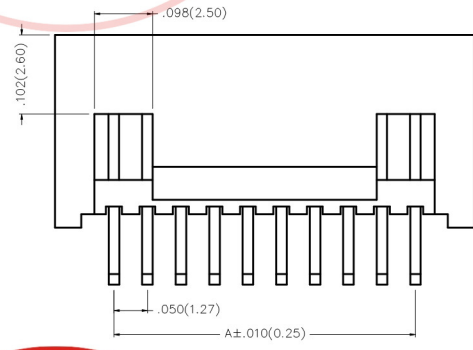
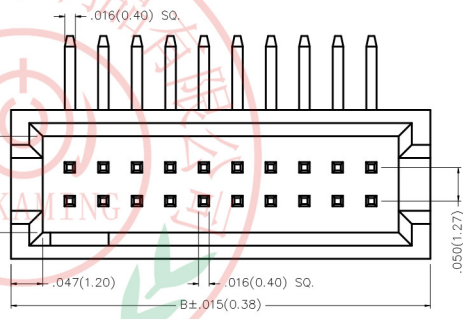


REV	LOCATIONS	DESCRIPTION	DATE	REVISER	APPD



Electrical
 Current Rating: 1.0A AC(rms)/DC
 Voltage Rating: 250V AC(rms)/DC
 Contact Resistance: 20 mΩ Max
 Insulation Resistance: 500 MΩ MIN
 Withstanding Voltage: 100V AC r.m.s
 Temperature Range—Operating: -25°C~+85°C

Material and Plating
 Housing: Glass Filled Polyester (UL 94V-0)
 Contact Pin: Brass
 Plating: Gold Plated



Recommended P.C.Board Layout

Ordering Information

FBH 127 02 - D XX B 1 XX X K6 X
 1 2 3 4 5 6 7 8 9 10 11

1	Category FBH-Box Header	2	Series Number 127-Pitch1.27mm	3	Distinction No. 02	4	Row Option D-Double Row	5	Circuits XX	6	Entry Angle B-90° Angle
7	Plating 1-Gold Plated	8	Thickness of plating 00-Gold Flash 05-5μ" Custom plate available	9	Material-Resin 3-LCP 4-PA9T	10	Color-Resin K6-Black	11	Packaging K-Tray L-Tube		

THIRD ANGLE PROJECTION	GENERAL TOLERANCES (UNLESS SPECIFIED)		APPROVE BY FRANK	DATE 19/JUL/13	PART NO. FBH12702-DXXB1XXXK6X	ITEM NO. FBH12702	
	DESIGN UNITS Inch (metric)	X.±.012(0.30) X.X±.008(0.20)	X.±5' .X±2'	CHECKED BY CHERRY	DATE 19/JUL/13	TITLE Wire to Board(Box Header) Pitch 1.27mm 180° Vertical (DIP)	
SCALE 5:1	SIZE A4	X.XX±.006(0.15) X.XXX±.004(0.10)	.XX±1' .XXX±0.5'	DRAWN BY JACOB	DATE 19/JUL/13	THIS DRAWING CONTAINS INFORMATION THAT IS PROPRIETARY TO DONG GUAN LANG LUN(3K-KAMING) ELECTRONIC PRODUCTS CO.,LTD. AND SHOULD NOT BE USED WITHOUT WRITTEN PERMISSION	



A
B
C
D
E
F

A
B
C
D
E
F

1 2 3 4 5 6 7 8

1 2 3 4 5 6 7 8