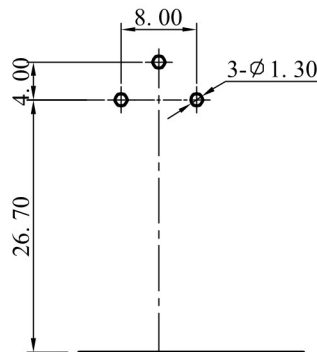


PANEL CUT OUT



PCB LAYOUT



|                   |            |              |
|-------------------|------------|--------------|
| MODEL NO :SPF-02D | ALLOWANCE: | DRAWN BY:    |
| TYPE: SP SOCKET   | UNIT: mm   | CHECKED BY:  |
| MATERIAL NO :     | SCALE:     | APPROVED BY: |
| PROJECTION        |            |              |
|                   |            |              |