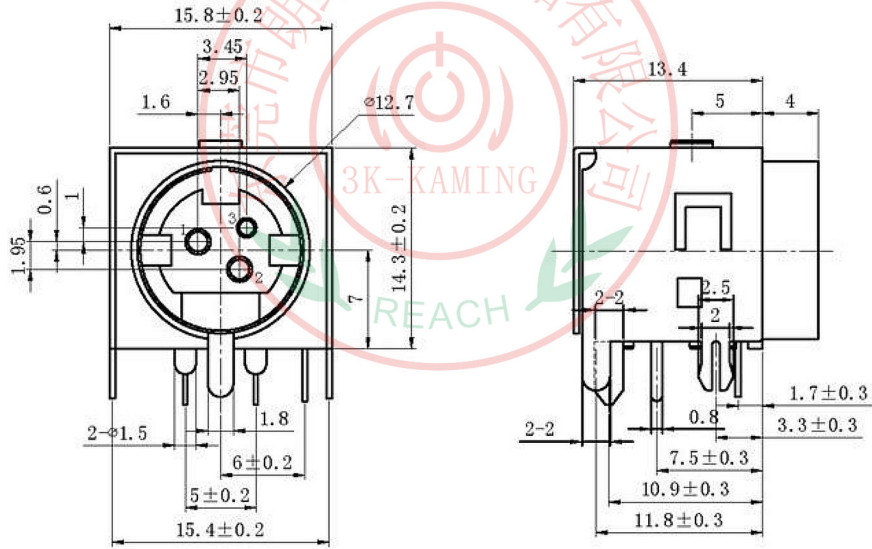




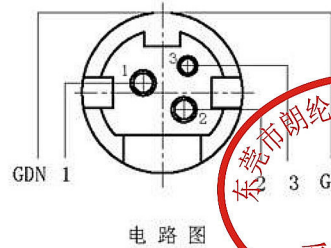
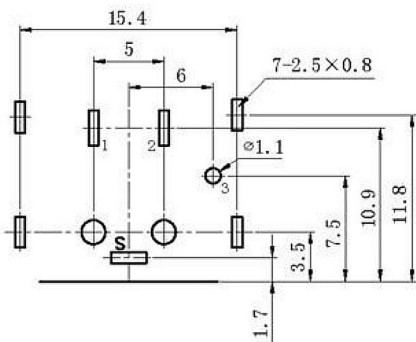
RoHS  
Compliant  
2002/95/EC

REV.	ECN.	NO.	APPD.

## DIMENSIONS



PCB板安装孔图



## ELECTRO-MECHANICAL CHARACTERISTICS

Refer to additional specifications

1	额定负荷Rated load	20V 7.5A DC 20V 1A DC
2	接触电阻Contact resistance	≤30m Ω
3	绝缘电阻Insulation resistance	≥100MΩ
4	耐压Withstand Voltage	AC 250V (50HZ) /1min
5	电器寿命Life	≥5000 cycle
6	动作力度Strength of action	5-50N You can customize it
7	环境温度The environment temperature	-15~75℃
8	相对湿度Relative humidity	≤95% (40℃)
9		
10		
11		



NO	配件Accessories	材料名称Material	产地Place of origin	备注Note	WITHIN 1.5mm: ±0.1mm	UNITS mm	 <b>东莞市朗纶电子制品有限公司</b> <b>Dongguan langlun electronic products Co., Ltd</b>
1	上盖/基座Topcover/base	PBT	进口/国产Imports / domestic	黑/白Black/white	OVER 1.5mm: ±0.2mm	MAT'L	
2	塑胶内件interior	PBT	进口/国产Imports / domestic	黑/白Black/white		SEE NOTE	
3	端子/拉伸件Terminals/stretchers	H62黄铜Brass	进口/国产Imports / domestic	CU/Ni/SN		FINISH	
4	短针Short needle	H62黄铜Brass	进口/国产Imports / domestic	CU/Ni/SN	<small>THESE DRAWINGS AND SPECIFICATIONS ARE THE PROPERTY OF ACCURATE 3K-KAMING(LANG LUN) INC. AND SHALL NOT BE REPRODUCED, COPIED OR USED IN ANY MANNER WITHOUT THE PRIOR WRITTEN CONSENT OF ACCURATE 3K-KAMING(LANG LUN) INC.</small>	SEE NOTE	
5	中针 Middle Needle	H62黄铜Brass	进口/国产Imports / domestic	CU/Ni/SN		Q'TY	
6	长针Long needle	H62黄铜 Brass	进口/国产Imports / domestic	CU/Ni/SN			



**东莞市朗纶电子制品有限公司**  
**Dongguan langlun electronic products Co., Ltd**

TITLE:  
PUSH SWITCH / VERTICAL  
DR: Ricky 2015/03/23  
CHKD: Ricky 2015/03/23  
APPD:

PART NO.:  
**3K-3-02铁A**  
DWG NO.:  
**3K-3-02铁A**  
SCALE: 4:1  
SHEET: 1/1  
REV: A  
CUSTOMER DRAWING